

Yale*lift* 360

YLLH – Hand chain hoist with integrated push or with integrated geared trolley (low headroom)

Capacity 500 - 10000 kg

The hand chain hoist Yale*lift* LH with integrated low headroom manual trolley is the consequent further development of the Yale*lift* IT. Wherever an even smaller headroom is essential, the Yale*lift* LH is the ideal choice.

Features

- The specially developed chain reeving system and chain guide allow the bottom block to be pulled laterally to the hoist even further up and almost against the beam flange.
- The integrated design of the innovative Yale*lift* LH uses the same manual trolleys as incorporated in the Yale*lift* IT series.
- All units of this series up to a capacity of 3000 kg are built with a single chain fall.
- The approved and almost stepless adjustment system of the trolley enables the simple and quick assembly due to adjusting nuts.
- Trolleys up to 5t capacity are offered for two beam ranges; range A for a flange width of up to 180 mm is standard and covers approx. 80% of all applications. Conversion to range B for beam width up to 300 mm can be easily accomplished.
- The trolley wheels are designed for a max. beam profile incline of 14% (DIN 1025-part 1), excellent rolling features are guaranteed by pre-lubricated, encapsulated ball bearings.
- The low headroom version of the Yale*lift* IT is adjustable to fit a wide range of beam profiles (e.g. INP, IPE, IPB).
- Anti-drop and anti-tilt devices as standard.

Optional

- Adjustable overload protection device.
- Chain container
- Rubber buffers
- Corrosion resistant version.
- Beam locking device to secure the unloaded hoist with integrated trolley in a fixed position on the beam (park position e.g. on ships).



EXPERIENCE THE ADVANTAGE OF 360°



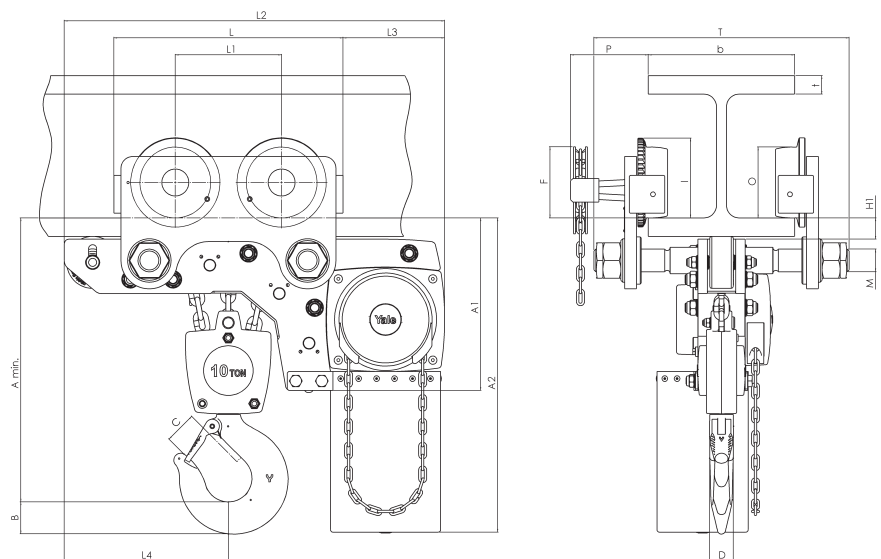
We are pleased to send you our new Atex catalogue in PDF format.

Technical data Yale/lift LHP - with integrated push trolley

Model	Art-No.	Capacity in kg/ Number of chain falls	Size	Beam flange width b mm	Beam flange thickness t max. mm	Curve radius min. m	Weight at standard lift (3 m) kg
YLLHP 500	N05600017	500/1	A	60 - 180	19	0.9	27
YLLHP 1000	N05600018	1000/1	A	70 - 180	19	0.9	35
YLLHP 2000	N05600019	2000/1	A	82 - 180	19	1.15	61
YLLHP 3000	N05600020	3000/1	A	100 - 180	19	1.5	107
YLLHP 5000	N05600021	5000/2	A	110 - 180	27	2.0	152
YLLHP 500	–	500/1	B	180 - 300	19	0.9	27
YLLHP 1000	–	1000/1	B	180 - 300	19	0.9	36
YLLHP 2000	–	2000/1	B	180 - 300	19	1.15	62
YLLHP 3000	–	3000/1	B	180 - 300	19	1.4	109
YLLHP 5000	–	5000/2	B	180 - 300	27	1.8	156

Technical data Yale/lift LHG - with integrated geared trolley

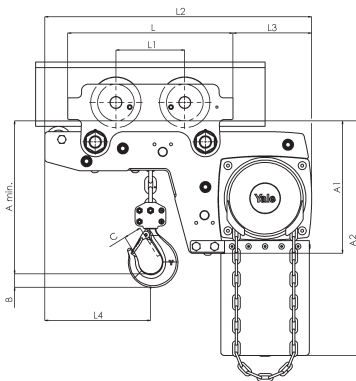
Model	Art-No.	Capacity in kg/ Number of chain falls	Size	Beam flange width b mm	Beam flange thickness t max. mm	Curve radius min. m	Weight at standard lift (3 m) kg
YLLHG 500	N05600022	500/1	A	60 - 180	19	0.9	31
YLLHG 1000	N05600023	1000/1	A	70 - 180	19	0.9	40
YLLHG 2000	N05600024	2000/1	A	82 - 180	19	1.15	65
YLLHG 3000	N05600025	3000/1	A	100 - 180	19	1.5	112
YLLHG 5000	N05600026	5000/2	A	110 - 180	27	2.0	157
YLLHG 10000	192038865	10000/3	A	125 - 210	40	1.8	230
YLLHG 500	–	500/1	B	180 - 300	19	0.9	32
YLLHG 1000	–	1000/1	B	180 - 300	19	0.9	41
YLLHG 2000	–	2000/1	B	180 - 300	19	1.15	67
YLLHG 3000	–	3000/1	B	180 - 300	19	1.4	114
YLLHG 5000	–	5000/2	B	180 - 300	27	1.8	161
YLLHG 10000	N05600027	10000/3	B	190 - 310	40	1.8	232



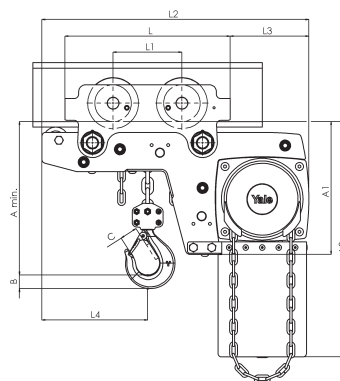
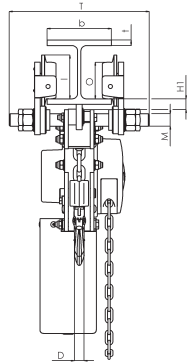
Yale/lift LHG, 10000 kg, three falls

Dimensions Yalelift LH

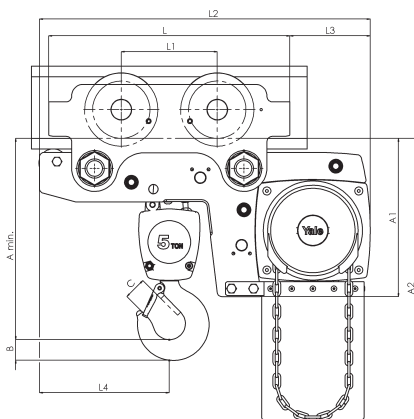
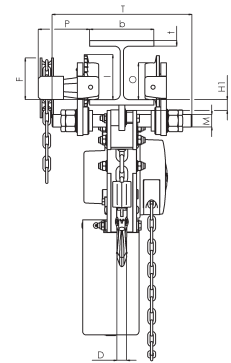
Model	YLLH 500	YLLH 1000	YLLH 2000	YLLH 3000	YLLH 5000	YLLH 10000
A min., mm	188	211	264	316	425	565
A1, mm	223	250	289	346	345	365
A2, mm	381	427	511	614	612	665
B, mm	17	22	30	38	45	68
C, mm	24	29	35	40	47	68
D, mm	14	19	22	30	37	50
F (Geared trolley), mm	92	92	91	107	150	150
H1, mm	24	24	24	32	31	45
I (Push trolley), mm	72	72	96	131	143	-
I (Geared trolley), mm	77	77	98	133	149	170
L, mm	270	310	360	445	525	485
L1, mm	130	130	150	180	209	225
L2, mm	444	488	582	690	720	805
L3, mm	124	135	172	203	175	215
L4, mm	184	201	230	265	283	348
M, mm	M 18	M 22	M 27	M 30	M 42	M 48
O, mm	60	60	80	112	125	150
P (Geared trolley), mm	108	110	112	112	117	165
T (Area A), mm	280	290	305	320	364	440
T (Area B), mm	400	410	425	440	484	540



Yalelift LHP, 500 - 3000 kg, single fall



Yalelift LHG, 500 - 3000 kg, single fall



Yalelift LHP/LHG, 5000 kg, double fall

