



## Pulley blocks, hinged, with single steel sheave

### Capacity 1000 - 6400 kg

One side of the Yale pulley blocks is hinged and can be opened for easy and quick positioning of the wire rope on the sheave. It can also provide a quick and versatile rigging point or redirect a wire rope.

#### Features

- Swinging the hook in the direction of pull securely locks the pulley block.
- The high quality cast steel sheaves have machined grooves and are fitted with Permaglide® bushes.

## INFO

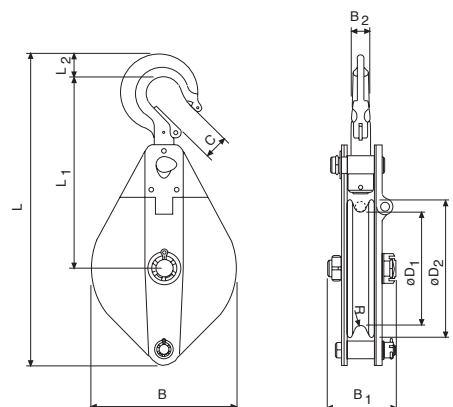
When choosing and classifying pulley blocks, take the "Grundsätze für Seiltriebe" DIN 15020 into consideration.

### Technical data pulley blocks

Model	Art.-No.	Capacity kg	Roller diameter mm	Rope diameter mm	Weight kg
Pulley blocks 1000	N46000005	1000	85	7	3.3
Pulley blocks 2000	N46000003	2000	150	13	8.9
Pulley blocks 3200	N46000004	3200	180	15	15.5
Pulley blocks 6400	N46000006	6400	210	18	26.5

### Dimensions pulley blocks

Model	Pulley blocks 1000	Pulley blocks 2000	Pulley blocks 3200	Pulley blocks 6400
B, mm	118	199	230	270
B1, mm	76	92	108	116
B2, mm	17	24	28	35
C, mm	23	27	31	42
Ø D1, mm	85	150	180	210
Ø D2, mm	105	190	220	260
L, mm	305	425	496	655
L1, mm	200	263	295	375
L2, mm	23	30	40	47
R, mm	4	7	9	10



## INFO

Yale hoists and trolleys are not designed for passenger elevation applications and must not be used for this purpose.

