

## STW-FvB Steel jacks acc. to DIN 7355 with fixed lifting claw shortened design

### Capacity 1500 kg

Wherever low headroom dimensions are required, the steel jack of shortened design is used.

### Features

- The robust steel design and a toothed rack of solid material increase the service life of the jack.
- Low wear owing to hardened gearing parts and precisely machined teething.
- The precisely machined gears with a high degree of efficiency guarantees low crank forces.
- The load is supported either on the claw or the head of the steel jack.
- Robust base plate for a high level of stability.
- No reduction of capacity on the claw.



### Technical data STW-FvB Siku

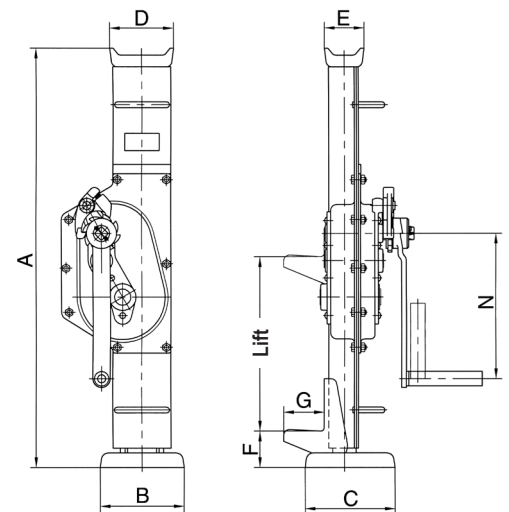
Model	Art.-No. Siku	Capacity kg	Height A mm	Lift <sup>1</sup> mm	Hand effort at WLL daN	Weight kg
STW-FvB 15	30014000	1500	600	300	28	11

<sup>1</sup>Height of lift = Height + Lift

### Technical data STW-FvB Raku

Model	Art.-No. Raku	Capacity kg	Height A mm	Lift <sup>1</sup> mm	Hand effort at WLL daN	Weight kg
STW-FvB 15	30014002	1500	600	300	28	11

<sup>1</sup>Height of lift = Height + Lift



### Dimensions STW-FvB

Model	STW-FvB 15
A, mm	600
B, mm	130
C, mm	140
D, mm	90
E, mm	50
F, mm	60
G, mm	60
N, mm	200

## INFO

STW-FvB Sifeku on request.