



EXPERIENCE THE ADVANTAGE OF 360°



We are pleased to send you our new Atex catalogue in PDF format.

INFO

Easy modification from Yalelift 360 to Yalelift IT is possible.

Yalelift 360

Hand chain hoist

Capacity 500 - 10000 kg

Areas of operation as well as operator conditions have been improved far beyond those of a classical hand chain hoist.

Features

- The enclosed robust stamped steel housing protects all internal components even in the toughest conditions.
- The extremely low headroom allows maximum use of the lifting height.
- The revolutionary 360° rotating hand chain guide allows the operator to work from virtually any position, in confined spaces or above the load. The Yalelift can even be operated from the side of the load which also makes it possible to use the hoist for horizontal pulling or tensioning. Due to the additional flexibility, the operator is no longer forced to work in the danger zone near the load.
- The brake system is extremely quiet and guarantees operational safety and improved serviceability due to omission of the vulnerable ratchet pawls. All parts are made of high quality materials, additionally zinc-plated or yellow-chromated to increase corrosion prevention.
- Chain guide and gearbox are almost totally enclosed. Even under the toughest conditions the internal gearbox remains protected.
- The hardened load sheave with four precision machined pockets ensures accurate movement of the load chain.
- The surface protected zinc-plated alloy steel load chains fulfil all requirements of current national and international standards and regulations. They are optimally matched to the load sprocket and ensure safe and long-lasting operation of the unit.
- Forged load and suspension hooks that yield under overload instead of breaking, are made of high tensile steel. The hooks are fitted with robust safety latches and rotate 360°.

Options

- Adjustable overload protection device.
- Chain container
- Corrosion resistant version

Yale*lift* 360

Hand chain hoist, 20t

Capacity 20000 kg

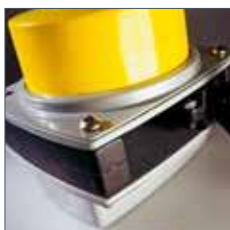
In spite of its high capacity, the Yale*lift* 360 20t features a compact design.

Features

- All components are made of high quality materials, some components are zinc-plated or yellow-chromated for added corrosion protection. This ensures that also heaviest loads are held reliably.
- The enclosed robust stamped steel body resists in the toughest conditions and allows outside operation.
- The hardened load sheave with five precision machined pockets ensures accurate movement of the load chain.
- The low headroom (hook-to-hook dimension 1065 mm) allows maximum use of the lifting height.
- The Yale*lift* 360 20t is equipped with six chain falls which results in higher speed and lower weight.

Options

- Adjustable overload protection device.
- Chain container
- Corrosion resistant version



The robust stamped steel housing with four stay bolts is resistant to the toughest working conditions.

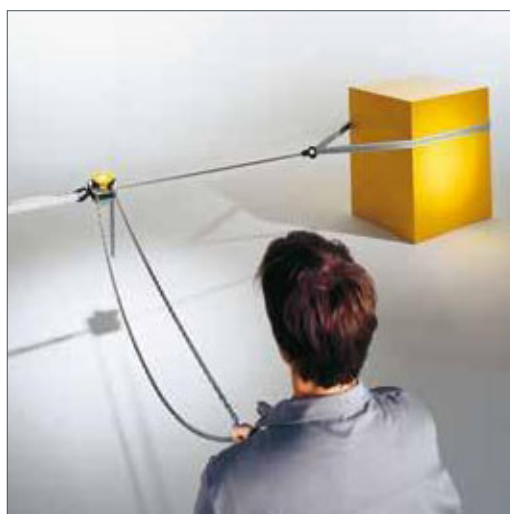


Chain guide

UPGRADE
SIMPLE & FLEXIBLE
 FROM Yale*lift* 360 TO Yale*lift* IT

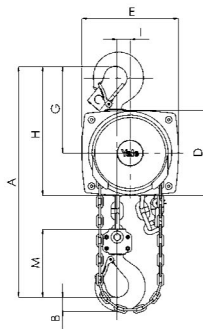
Technical data Yalelift

Model	Art.-No.	Capacity kg	Number of chain falls	Chain dimensions d x p in mm/ design	Lift per 1 m hand chain overhaul mm	Handle pull at WLL daN	Weight at standard lift (3 m) kg
YL 500	N04700109	500	1	5 x 15 - T	33	21	9
YL 1000	N04700110	1000	1	6 x 18 - T	20	30	13
YL 2000	N04700111	2000	1	8 x 24 - T	14	32	21
YL 3000	N04700112	3000	1	10 x 30 - V	12	38	34
YL 5000	N04700113	5000	2	10 x 30 - T	6	34	48
YL 10000	N04700075	10000	3	10 x 30 - V	4	44	71
YL 20000	N04700077	20000	6	10 x 30 - V	2	2 x 44	196

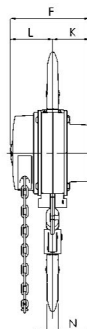


Dimensions Yalelift

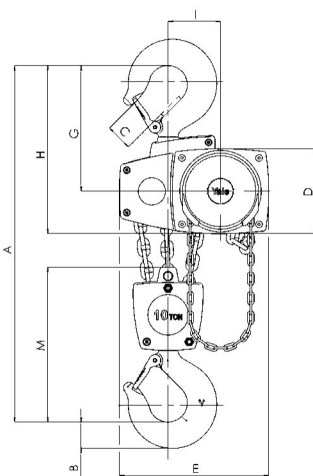
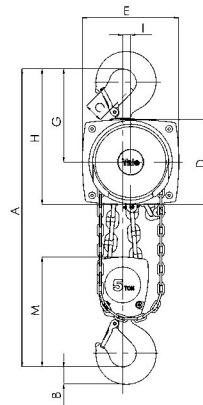
Model	YL 500	YL 1000	YL 2000	YL 3000	YL 5000	YL 10000	YL 20000
A min., mm	300	335	395	520	654	825	1065
B, mm	17	22	30	38	45	68	85
C, mm	24	29	35	40	47	68	64
D, mm	133	156	182	220	220	220	303
E, mm	148	175	203	250	250	383	555
F, mm	148	167	194	219	219	219	250
G, mm	139	164	192	225	242	326	391
H, mm	206	242	283	335	352	436	501
I, mm	24	24	31	34	21	136	-
K, mm	61	70	83	95	95	95	396
L, mm	87	97	111	124	124	124	125
M, mm	110	125	156	178	285	401	471
N, mm	14	19	22	30	37	50	56



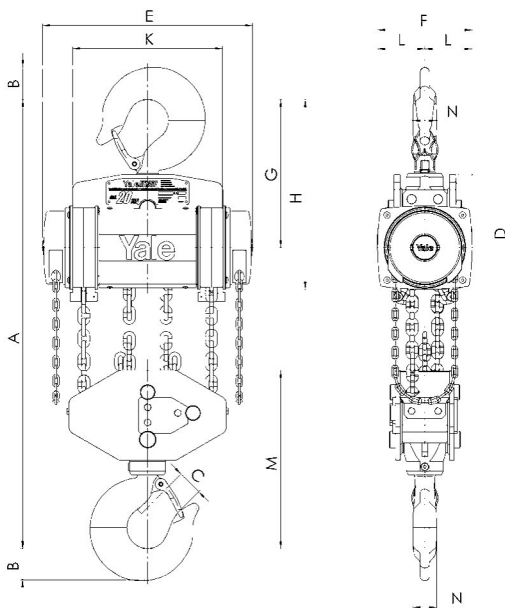
Yalelift 360, 500 - 3000 kg, single fall



Yalelift 360, 5000 kg, double fall



Yalelift 360, 10000 kg, three falls



Yalelift 360, 20000 kg, six falls



Depicted rubber buffers are optionally available!



**EXPERIENCE THE
ADVANTAGE OF 360°**

Yalelift 360

YLIT – Hand chain hoist with integrated push or with integrated geared trolley

Capacity 500 - 20000 kg

The combination of the Yalelift 360 with a low headroom manual trolley provides even more flexibility in the application.

Features

- All units of this series up to a capacity of 3000 kg are built with a single chain fall, the min. headroom (Dim. A) has been further reduced. Ideal for applications with low ceilings and limited headroom.
- The approved and almost stepless adjustment system of the trolley enables the simple and quick assembly due to adjusting nuts.
- Trolleys up to 5t capacity are offered for two beam ranges; range A for a flange width of up to 180 mm is standard and covers approx. 80% of all applications. Conversion to range B for beam width up to 300 mm can be easily accomplished.
- The trolley wheels are designed for a max. beam profile incline of 14% (DIN 1025-part 1), excellent rolling features are guaranteed by pre-lubricated, encapsulated ball bearings.
- Anti-drop and anti-tilt devices as standard.

Options

- Adjustable overload protection device.
- Chain container
- Rubber buffers
- Corrosion resistant version
- Beam locking device to secure the unloaded hoist with integrated trolley in a fixed position on the beam (park position e.g. on ships).

UPGRADE

SIMPLE & FLEXIBLE
FROM Yalelift 360 TO Yalelift IT

Technical data Yale/lift ITP - with integrated push trolley

Model	Art.-No.	Capacity in kg/ Number of chain falls	Size	Beam flange width b mm	Beam flange thickness t max. mm	Curve radius min. m	Weight at standard lift (3m) kg
YLITP 500	N04900044	500/1	A	50 - 180	19	0.9	20
YLITP 1000	N04900045	1000/1	A	50 - 180	19	0.9	27
YLITP 2000	N04900046	2000/1	A	58 - 180	19	1.15	44
YLITP 3000	N04900047	3000/1	A	74 - 180	27	1.5	77
YLITP 5000	N04900020	5000/2	A	98 - 180	27	2.0	125
YLITP 500	-	500/1	B	180 - 300	19	0.9	21
YLITP 1000	-	1000/1	B	180 - 300	19	0.9	29
YLITP 2000	-	2000/1	B	180 - 300	19	1.15	46
YLITP 3000	-	3000/1	B	180 - 300	27	1.4	79
YLITP 5000	-	5000/2	B	180 - 300	27	1.8	129

Technical data Yale/lift ITG - with integrated geared trolley

Model	Art.-No.	Capacity in kg/ Number of chain falls	Size	Beam flange width b mm	Beam flange thickness t max. mm	Curve radius min. m	Weight at standard lift (3m) kg
YLITG 500	N04900056	500/1	A	50 - 180	19	0.9	24
YLITG 1000	N04900057	1000/1	A	50 - 180	19	0.9	32
YLITG 2000	N04900058	2000/1	A	58 - 180	19	1.15	49
YLITG 3000	N04900059	3000/1	A	74 - 180	27	1.5	82
YLITG 5000	N04900060	5000/2	A	98 - 180	27	2.0	130
YLITG 500	-	500/1	B	180 - 300	19	0.9	25
YLITG 1000	-	1000/1	B	180 - 300	19	0.9	33
YLITG 2000	-	2000/1	B	180 - 300	19	1.15	50
YLITG 3000	-	3000/1	B	180 - 300	27	1.4	84
YLITG 5000	-	5000/2	B	180 - 300	27	1.8	134
YLITG 10000	N04900061	10000/3	B	125 - 310	40	1.8	202
YLITG 20000 ¹	N04900055	20000/6	B	180 - 310	40	9.5	on request

¹Dimensions on request



COMPLETE SERIES YALELIFT

**CAPACITIES FROM
500-20000 KG**

WITH

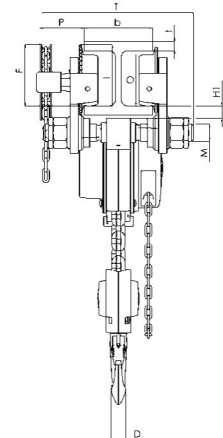
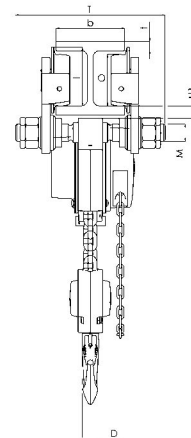
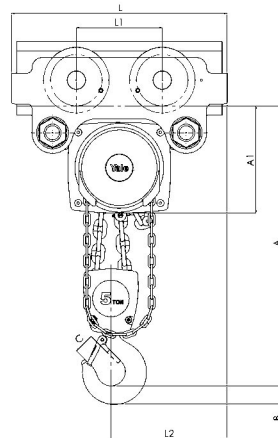
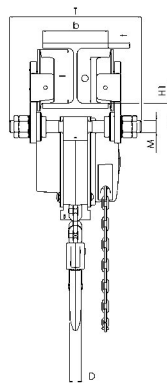
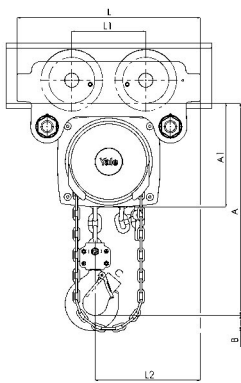
**INTEGRATED
PUSH OR GEARED TROLLEY**



We are pleased to send you our new
Atex catalogue in PDF format.

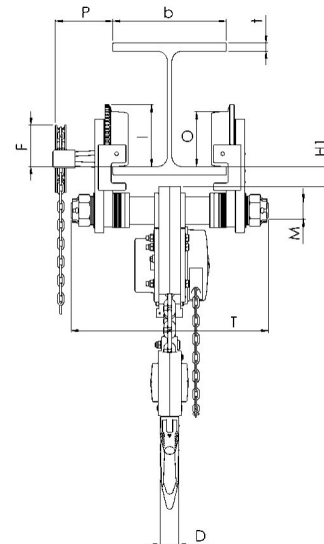
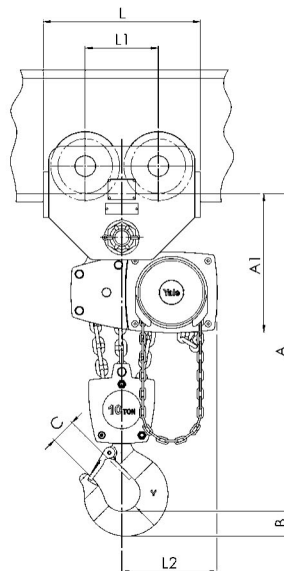
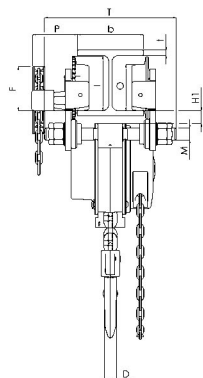
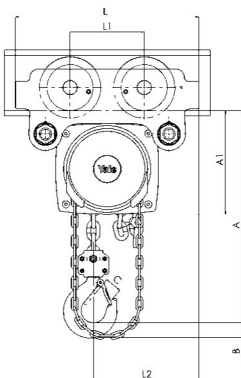
Dimensions Yalelift ITP/ITG

Model	YLIT 500	YLIT 1000	YLIT 2000	YLIT 3000	YLIT 5000	YLIT 10000
A min., mm	245	272	323	382	550	784
A1, mm	158	178	205.5	252	260.5	380
A2, mm	-	-	-	-	-	-
B, mm	17	22	30	38	45	68
C, mm	24	29	35	40	47	68
D, mm	14	19	22	30	37	50
F (Geared trolley), mm	92	92	91	107	149.5	113
H1, mm	24.5	24	23.5	32	30.5	55
I (Push trolley), mm	71.5	71.5	95.5	131	142.5	169
I (Geared trolley), mm	76.5	76.5	98	132.5	148.5	169
L, mm	270	310	360	445	525	430
L1, mm	130	130	150	180	209	200
L2, mm	159	175	207	256	283	261
M, mm	M 18	M 22	M 27	M 30	M 42	M 48
O, mm	60	60	80	112	125	150
P (Geared trolley), mm	108	110	112	112	117	158
T (Area A), mm	280	290	305	320	364	-
T (Area B), mm	400	410	425	440	484	540



Yalelift ITP, 500 - 3000 kg, single fall

Yalelift ITP/ITG, 5000 kg, double fall



Yalelift ITG, 500 - 3000 kg, single fall

Yalelift ITG, 10000 kg, three falls

Yalelift 360

YLLH – Hand chain hoist with integrated push or with integrated geared trolley (low headroom)

Capacity 500 - 10000 kg

The hand chain hoist model Yalelift LH with integrated low headroom manual trolley is the consequent further development of the Yalelift IT. Wherever an even smaller headroom is essential, the Yalelift LH is the ideal choice.

Features

- The specially developed chain reeving system and chain guide allow the bottom block to be pulled laterally to the hoist even further up and almost against the beam flange.
- The integrated design of the innovative Yalelift LH uses the same manual trolleys as incorporated in the Yalelift IT series.
- All units of this series up to a capacity of 3000 kg are built with a single chain fall.
- The approved and almost stepless adjustment system of the trolley enables the simple and quick assembly due to adjusting nuts.
- Trolleys up to 5t capacity are offered for two beam ranges; range A for a flange width of up to 180 mm is standard and covers approx. 80% of all applications. Conversion to range B for beam width up to 300 mm can be easily accomplished.
- The trolley wheels are designed for a max. beam profile incline of 14% (DIN 1025-part 1), excellent rolling features are guaranteed by pre-lubricated, encapsulated ball bearings.
- The low headroom version of the Yalelift IT is adjustable to fit a wide range of beam profiles (e.g. INP, IPE, IPB).
- Anti-drop and anti-tilt devices as standard.
- Excellent rolling features due to machined steel wheels mounted on pre-lubricated, encapsulated ball bearings.

Options

- Adjustable overload protection device.
- Chain container
- Rubber buffers
- Corrosion resistant version
- Beam locking device to secure the unloaded hoist with integrated trolley in a fixed position on the beam (park position e.g. on ships).



360°

EXPERIENCE THE ADVANTAGE OF 360°



We are pleased to send you our new Atex catalogue in PDF format.

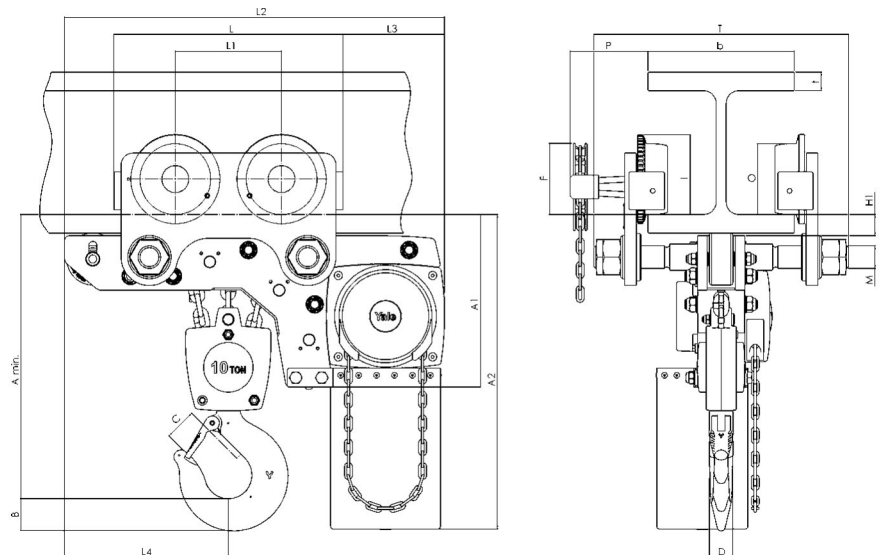
Hoisting Equipment Hand chain hoists

Technical data Yalelift LHP - with integrated push trolley

Model	Art.-No.	Capacity in kg/ Number of chain falls	Size	Beam flange width b mm	Beam flange thickness t max. mm	Curve radius min. m	Weight at standard lift (3 m) kg
YLLHP 500	N05600017	500/1	A	60 - 180	19	0.9	27
YLLHP 1000	N05600018	1000/1	A	70 - 180	19	0.9	35
YLLHP 2000	N05600019	2000/1	A	82 - 180	19	1.15	61
YLLHP 3000	N05600020	3000/1	A	100 - 180	19	1.5	107
YLLHP 5000	N05600021	5000/2	A	110 - 180	27	2.0	152
YLLHP 500	-	500/1	B	180 - 300	19	0.9	27
YLLHP 1000	-	1000/1	B	180 - 300	19	0.9	36
YLLHP 2000	-	2000/1	B	180 - 300	19	1.15	62
YLLHP 3000	-	3000/1	B	180 - 300	19	1.4	109
YLLHP 5000	-	5000/2	B	180 - 300	27	1.8	156

Technical data Yalelift LHG - with integrated geared trolley

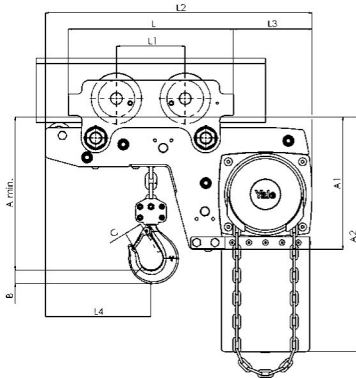
Model	Art.-No.	Capacity in kg/ Number of chain falls	Size	Beam flange width b mm	Beam flange thickness t max. mm	Curve radius min. m	Weight at standard lift (3 m) kg
YLLHG 500	N05600022	500/1	A	60 - 180	19	0.9	31
YLLHG 1000	N05600023	1000/1	A	70 - 180	19	0.9	40
YLLHG 2000	N05600024	2000/1	A	82 - 180	19	1.15	65
YLLHG 3000	N05600025	3000/1	A	100 - 180	19	1.5	112
YLLHG 5000	N05600026	5000/2	A	110 - 180	27	2.0	157
YLLHG 10000	192038865	10000/3	A	125 - 210	40	1.8	230
YLLHG 500	-	500/1	B	180 - 300	19	0.9	32
YLLHG 1000	-	1000/1	B	180 - 300	19	0.9	41
YLLHG 2000	-	2000/1	B	180 - 300	19	1.15	67
YLLHG 3000	-	3000/1	B	180 - 300	19	1.4	114
YLLHG 5000	-	5000/2	B	180 - 300	27	1.8	161
YLLHG 10000	N05600027	10000/3	B	190 - 310	40	1.8	232



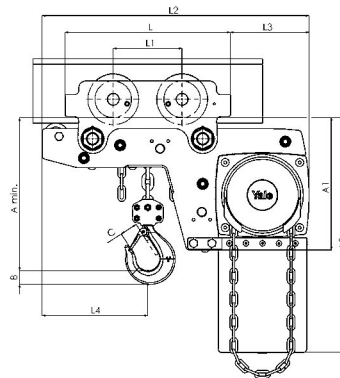
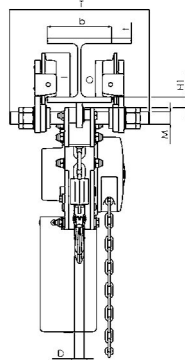
Yalelift LHG, 10000 kg, three falls

Dimensions Yalelift LH

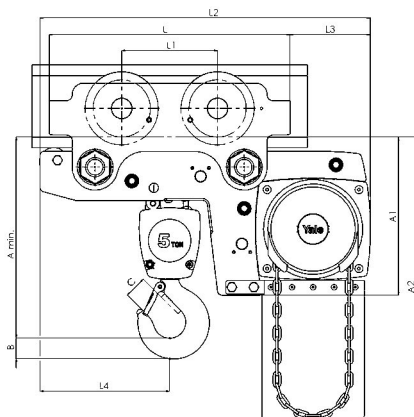
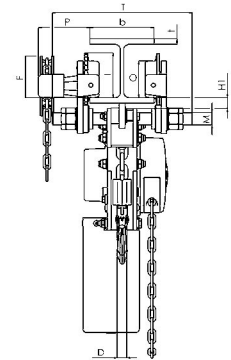
Model	YLLH 500	YLLH 1000	YLLH 2000	YLLH 3000	YLLH 5000	YLLH 10000
A min., mm	188	211	264	316	425	565
A1, mm	223	250	289	346	345	365
A2, mm	381	427	511	614	612	665
B, mm	17	22	30	38	45	68
C, mm	24	29	35	40	47	68
D, mm	14	19	22	30	37	50
F (Geared trolley), mm	92	92	91	107	150	150
H1, mm	24	24	24	32	31	45
I (Push trolley), mm	72	72	96	131	143	-
I (Geared trolley), mm	77	77	98	133	149	170
L, mm	270	310	360	445	525	485
L1, mm	130	130	150	180	209	225
L2, mm	444	488	582	690	720	805
L3, mm	124	135	172	203	175	215
L4, mm	184	201	230	265	283	348
M, mm	M 18	M 22	M 27	M 30	M 42	M 48
O, mm	60	60	80	112	125	150
P (Geared trolley), mm	108	110	112	112	117	165
T (Area A), mm	280	290	305	320	364	440
T (Area B), mm	400	410	425	440	484	540



Yalelift LHP, 500 - 3000 kg, single fall



Yalelift LHG, 500 - 3000 kg, single fall



Yalelift LHP/LHG, 5000 kg, double fall

