



The delivered product may differ from the product shown in the image.

CPEF Electric chain hoist with V or with integrated trolley

Capacity 1600 - 7500 kg

The CPEF series is a range of high quality products for professional applications. They are highly efficient and engineered for a long working life. The hoists are composed of three main component parts which makes service easy and inexpensive.

Features

- Classification 1 Am/M4, except CPEF 20-8, CPEF 30-5 und CPEF 40-4 with classification 1 Bm/M3.
 - 42V low voltage control.
 - 2 year warranty (excluding wear parts) as well as a lifetime lubricated gear box.
 - Motor fitted with a bimetallic thermal protection
 - Duty cycle 40 % at one operating speed.
 - The heavy duty squirrel cage motor has an adjustable spring pressure brake that holds the load secure even in the event of a power failure.
 - Standard operating voltage: Euro-voltage 400V, 3-phase, 50 Hz.
 - Motor protected to IP 54, insulation class F.
 - Encapsulated pendant control protected to IP 65, against ingress of dust and water jets.
 - The 5-pocket load chain sheave, manufactured from wear resistant case hardening steel, is matched perfectly to the load chain to guarantee smooth and precise chain motion.
 - The standard, oil bath lubricated planetary gearbox is particularly smooth running.
 - Forged suspension and load hooks are made from non-aging, high tensile steel and fitted with robust safety latches.
 - The standard case hardened and zinc-plated link chain is matched perfectly to the load chain to guarantee smooth and precise chain motion.
- All requirements of national and international standards and regulations are fulfilled.

Options

- Stainless steel load chain.
- Suspension hook rotated 90°.
- Flexible chain container.
- Other operating voltages.
- Limit switches for highest and lowest hook positions (in combination with low voltage control).
- Radio remote control.
- Control for synchronized operation of several hoists.
- Manual and electric trolleys.
- Festooned cable system or conductor rail system.

CPEF 100-2
Electric chain hoist
with suspension hook or with
integrated trolley

Capacity 10000 kg

The model CPEF 100-2 consists of two CPEF 50-2 units. They are connected by a framework. Hook suspension, geared or electric trolleys are available. Integrated limit switches for highest and lowest hook positions are standard. 42V low voltage control as standard.

Options

- Stainless steel load chain.
- Flexible chain container.
- Other operating voltages.
- Motor with stainless steel brake.
- Radio remote control.
- Festooned cable system or conductor rail system.

INFO

The units are certified by the employer's liability insurance association (Berufsgenossenschaft) and fulfil the requirements of the machinery directive 2006/42/EG.

Festooned cable systems please see pages 146-147.



The delivered product may differ from the product shown in the image.



5-pocket load chain sheave machined for smooth, precise chain motion.



Universal connection to suspension hook, trolley or steel structures.



Double fall bottom block for capacities between 3200 up to 5000 kg.



Hoist connected directly to trolley with electric drive. Manual pull and geared trolleys also available.



Option: Flexible chain container made from wear resistant textile fabric.



compact planetary gearbox

The delivered product may differ from the product shown in the image.

lowest hook dimension A only **516 mm**
up to CPEF 30-5

zinc-plated Yale load chain

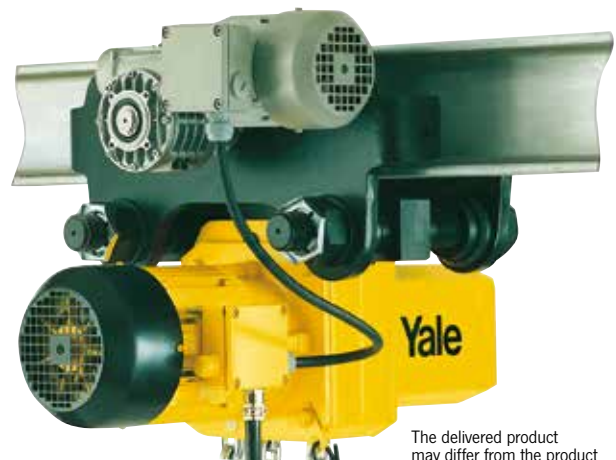
push-button pendant control, IP 65

Technical data CPEF - 400V, 3 phase, 50 Hz

| Model | Art.-No. CPEF with hook suspension | Capacity in kg/ Number of chain falls | Chain dimensions d x p mm | Classification FEM/ISO | Lifting speed | | Hoist motor kW | Motor rating ED % |
|-------------|---|--|------------------------------------|-------------------------------|--------------------|--------------------|--------------------------|-----------------------------|
| | | | | | main lift m/min | fine lift m/min | | |
| CPEF 16-8 | N06000246 | 1600/1 | 11 x 31 | 1Am/M4 | 8 | 2 | 2.3/0.58 | 40/20 |
| CPEF 20-8 | N06000248 | 2000/1 | 11 x 31 | 1Bm/M3 | 8 | 2 | 2.8/0.7 | 25/15 |
| CPEF 25-5 | N06000250 | 2500/1 | 11 x 31 | 1Am/M4 | 5 | 1.25 | 2.3/0.58 | 40/20 |
| CPEF 30-5 | N06000252 | 3000/1 | 11 x 31 | 1Bm/M3 | 5 | 1.25 | 2.8/0.7 | 25/15 |
| CPEF 32-4 | N06000254 | 3200/2 | 11 x 31 | 1Am/M4 | 4 | 1 | 2.3/0.58 | 40/20 |
| CPEF 40-4 | N06000256 | 4000/2 | 11 x 31 | 1Bm/M3 | 4 | 1 | 2.8/0.7 | 25/15 |
| CPEF 50-2 | N06000258 | 5000/2 | 11 x 31 | 1Am/M4 | 2.5 | 0.6 | 2.3/0.58 | 40/20 |
| CPEF 75-1,6 | N06000278 | 7500/3 | 11 x 31 | 1Am/M4 | 1.6 | 0.4 | 2.8/0.58 | 40/20 |
| CPEF 100-2 | N06041607 | 10000/4 | 11 x 31 | 1Am/M4 | 2.5 | 0.6 | 2 x 2.3/0.58 | 40/20 |

| Model | Weight at standard lift (3m) ¹ | | |
|-------------|---|--------------------------------|---------------------------|
| | suspension hook kg | manual geared trolley kg | electric trolley kg |
| CPEF 16-8 | 93 | 159 | 171 |
| CPEF 20-8 | 93 | 159 | 171 |
| CPEF 25-5 | 93 | 159 | 171 |
| CPEF 30-5 | 93 | 159 | 171 |
| CPEF 32-4 | 112 | 178 | 189 |
| CPEF 40-4 | 112 | 178 | 189 |
| CPEF 50-2 | 112 | 178 | 189 |
| CPEF 75-1,6 | 226 | 326 | 348 |
| CPEF 100-2 | 287 | 390 | 413 |

¹Other lifting heights on request.



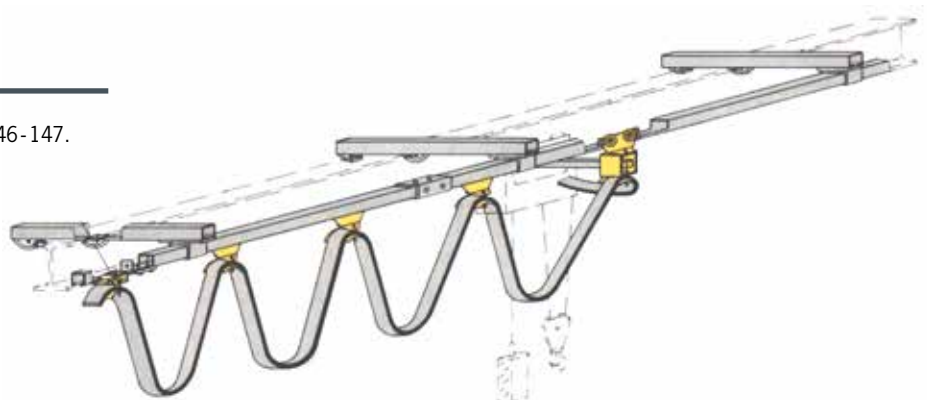
The delivered product may differ from the product shown in the image.

Technical data trolleys

| Capacity kg | Size | Beam flange width b mm | Beam flange thickness t max. mm | Curve radius min. m | Electric trolley travel speed m/min at 50 Hz | Electric trolley motor kW at 50 Hz |
|----------------|------|---------------------------------|--|---------------------------|---|---|
| 1600 - 5000 | A | 98 - 180 | 27 | 2.0 | 11/2.8 | 0.3/0.09 |
| 1600 - 5000 | B | 180 - 300 | 27 | 1.8 | 11/2.8 | 0.3/0.09 |
| 7500 - 10000 | B | 125 - 310 | 40 | 1.8 | 5/1.25 | 0.55/0.12 |

INFO

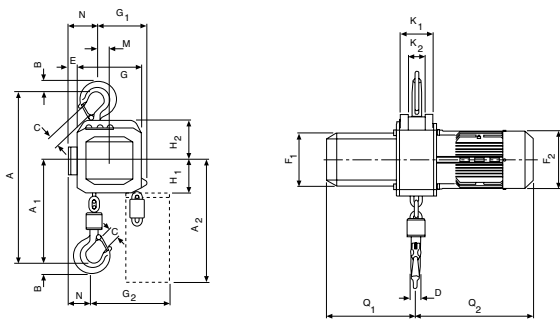
Festooned cable systems please see pages 146-147.



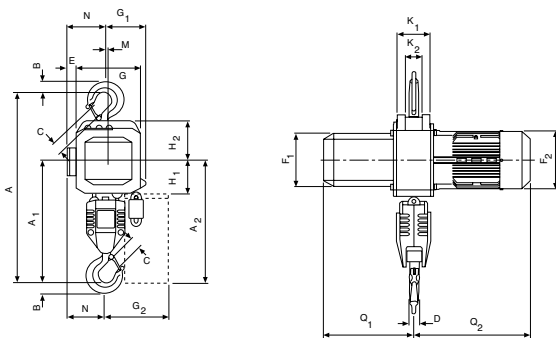
Dimensions CPE¹/CPEF

| Model | CPE ¹ /CPEF 16-8 | CPE ¹ /CPEF 20-8 | CPE ¹ /CPEF 25-5 | CPE ¹ /CPEF 30-5 | CPE ¹ /CPEF 32-4 | CPE ¹ /CPEF 40-4 | CPE ¹ /CPEF 50-2 | CPE ¹ /CPEF 75-1,6 | CPE ¹ /CPEF 100-2 |
|--------------|-----------------------------|-----------------------------|-----------------------------|-----------------------------|-----------------------------|-----------------------------|-----------------------------|-------------------------------|------------------------------|
| A, mm | 516 | 516 | 516 | 516 | 681 | 681 | 681 | 950 | 1068 |
| A1, mm | 286 | 286 | 286 | 286 | 428 | 428 | 428 | 479 | 651 |
| A2 (13m), mm | 430 | 430 | 430 | 430 | 430 | 430 | 430 | - | - |
| A2 (21m), mm | 530 | 530 | 530 | 530 | 530 | 530 | 530 | 530 | 555 |
| B, mm | 35 | 35 | 35 | 35 | 45 | 45 | 45 | 60 | 60 |
| C, mm | 37 | 37 | 37 | 37 | 46 | 46 | 46 | 52 | 52 |
| D, mm | 24 | 24 | 24 | 24 | 30 | 30 | 30 | 40/45 | 40/45 |
| E, mm | 45/50 | 45/50 | 45/50 | 45/50 | 45/50 | 45/50 | 45/50 | - | - |
| F1, mm | 160 | 160 | 160 | 160 | 160 | 160 | 160 | 160 | 160 |
| F2, mm | 184/195 | 184/195 | 184/195 | 184/195 | 184/195 | 184/195 | 184/195 | 184/195 | 184/195 |
| G, mm | 220 | 220 | 220 | 220 | 220 | 220 | 220 | 220 | - |
| G1, mm | 180 | 180 | 180 | 180 | 140 | 140 | 140 | 293/298 | 340/345 |
| G2 (13m), mm | 257 | 257 | 257 | 257 | 218 | 218 | 218 | - | - |
| G2 (21m), mm | 277 | 277 | 277 | 277 | 238 | 238 | 238 | 345 | 408 |
| H1, mm | 110 | 110 | 110 | 110 | 110 | 110 | 110 | 110 | 135 |
| H2, mm | 135 | 135 | 135 | 135 | 135 | 135 | 135 | 307 | 256 |
| K1, mm | 100 | 100 | 100 | 100 | 100 | 100 | 100 | 92 | 92 |
| K2, mm | 51 | 51 | 51 | 51 | 51 | 51 | 51 | 62 | 62 |
| M, mm | 50 | 50 | 50 | 50 | 10 | 10 | 10 | 138 | - |
| N, mm | 105/110 | 105/110 | 105/110 | 105/110 | 145/150 | 145/150 | 145/150 | 136 | 390 |
| Q1, mm | 280 | 280 | 280 | 280 | 280 | 280 | 280 | 280 | 280 |
| Q2, mm | 382/438 | 382/438 | 382/438 | 382/438 | 382/438 | 382/438 | 382/438 | 382/438 | 382/438 |

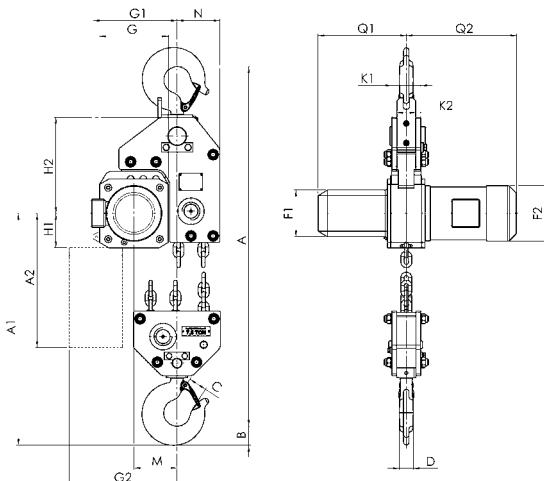
¹ The model CPE (single speed hoist) is available on request. Please consider the deviating motor dimensions in the above table.



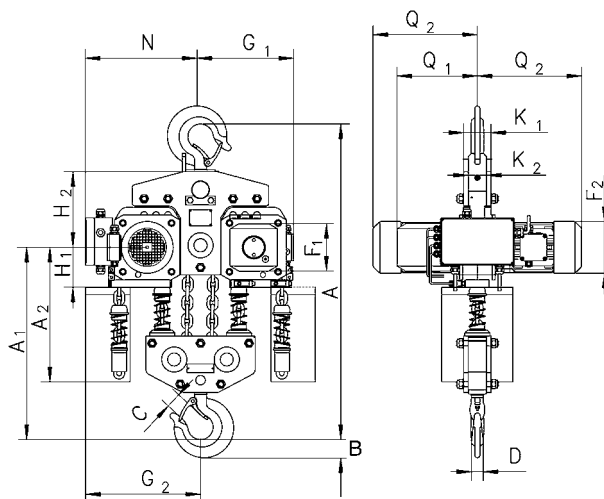
CPE¹/CPEF with suspension hook, 1600 - 3000 kg, single fall



CPE¹/CPEF with suspension hook, 3200 - 5000 kg, double fall



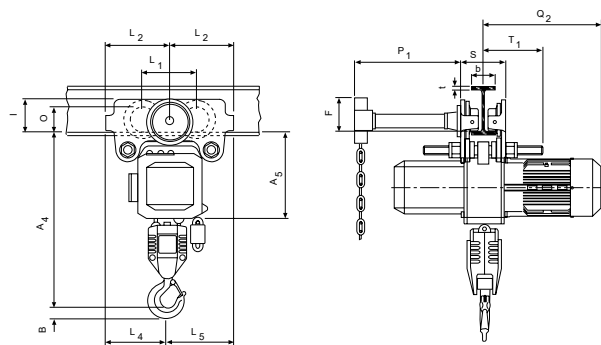
CPE¹/CPEF 75-1,6 with suspension hook, 7500 kg



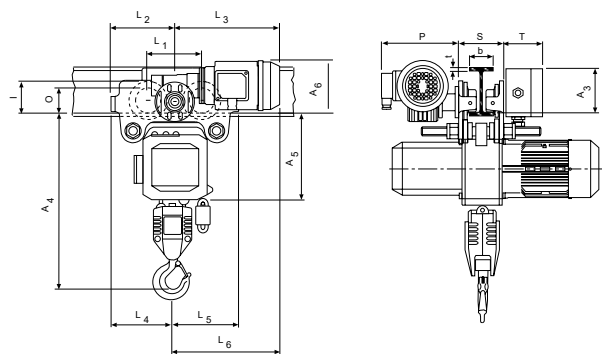
CPE¹/CPEF 100-2 with suspension hook, 10000 kg

Dimensions CPEF

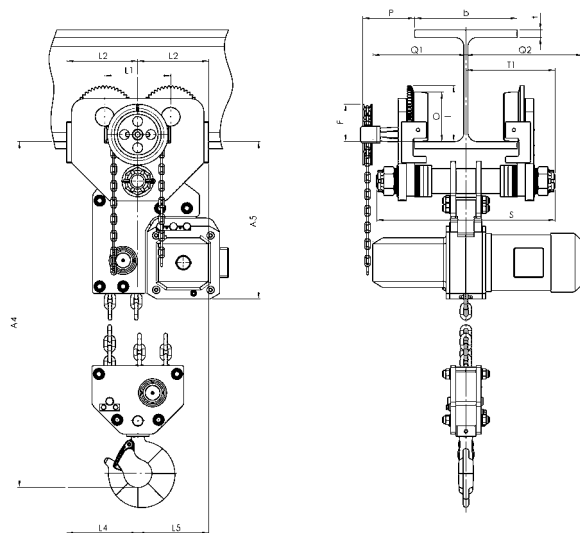
| Model | CPEF 16-8 | CPEF 20-8 | CPEF 25-5 | CPEF 30-5 | CPEF 32-4 | CPEF 40-4 | CPEF 50-2 | CPEF 75-1,6 | CPEF 100-2 |
|---------------|--------------------------------|--------------------------------|--------------------------------|--------------------------------|--------------------------------|--------------------------------|--------------------------------|-------------|------------|
| A3, mm | 121 | 121 | 121 | 121 | 121 | 121 | 121 | - | 110 |
| A4, mm | 465 | 465 | 465 | 465 | 615 | 615 | 615 | 855 | 965 |
| A5, mm | 298 | 298 | 298 | 298 | 298 | 298 | 298 | 477 | 450 |
| A6, mm | 178 | 178 | 178 | 178 | 178 | 178 | 178 | - | 170 |
| b, mm | A = 98 - 180/ B = 180 - 300 | A = 98 - 180/ B = 180 - 300 | A = 98 - 180/ B = 180 - 300 | A = 98 - 180/ B = 180 - 300 | A = 98 - 180/ B = 180 - 300 | A = 98 - 180/ B = 180 - 300 | A = 98 - 180/ B = 180 - 300 | 125 - 310 | 125 - 310 |
| F, mm | 150 | 150 | 150 | 150 | 150 | 150 | 150 | 113 | 113 |
| I, mm | 142.5 | 142.5 | 142.5 | 142.5 | 142.5 | 142.5 | 142.5 | 170 | 170 |
| L1, mm | 209 | 209 | 209 | 209 | 209 | 209 | 209 | 200 | 200 |
| L2, mm | 262.5 | 262.5 | 262.5 | 262.5 | 262.5 | 262.5 | 262.5 | 215 | 215 |
| L3 (VTE), mm | 292 | 292 | 292 | 292 | 292 | 292 | 292 | - | 335 |
| L3 (VTEF), mm | 296 | 296 | 296 | 296 | 296 | 296 | 296 | - | 335 |
| L4, mm | 213 | 213 | 213 | 213 | 253 | 253 | 253 | 215 | 390 |
| L5, mm | 312 | 312 | 312 | 312 | 272 | 272 | 272 | 215 | 215 |
| L6 (VTE), mm | 342 | 342 | 342 | 342 | 342 | 342 | 342 | - | - |
| L6 (VTEF), mm | 346 | 346 | 346 | 346 | 306 | 306 | 306 | - | - |
| O, mm | 125 | 125 | 125 | 125 | 125 | 125 | 125 | 150 | 150 |
| P (VTE), mm | 197 | 197 | 197 | 197 | 197 | 197 | 197 | - | 273 |
| P (VTEF), mm | 205 | 205 | 205 | 205 | 205 | 205 | 205 | - | 280 |
| P1, mm | 229 | 229 | 229 | 229 | 229 | 229 | 229 | - | 110 |
| S, mm | b + 70 | b + 70 | b + 70 | b + 70 | b + 70 | b + 70 | b + 70 | b + 98 | b + 98 |
| T, mm | 94 | 94 | 94 | 94 | 94 | 94 | 94 | - | 94 |
| tmax., mm | 27 | 27 | 27 | 27 | 27 | 27 | 27 | 40 | 40 |



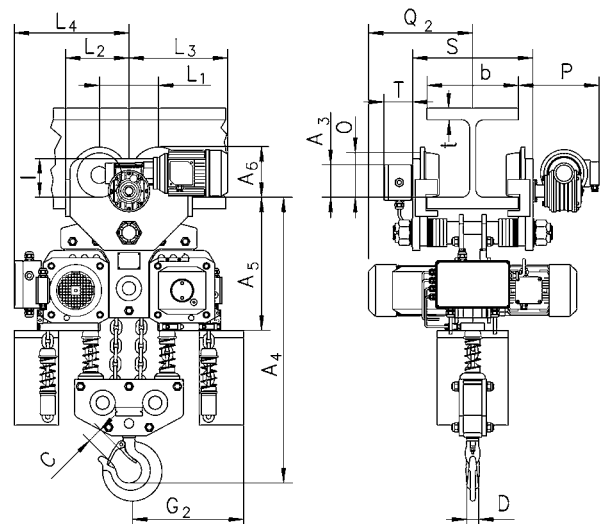
CPE1/CPEF with integrated manual geared trolley



CPE1/CPEF with integrated electric trolley



CPE1/CPEF with integrated geared or electric trolley, 7500 kg



CPE1/CPEF with integrated electric trolley, 10000 kg