

Yale VS III

Hand chain hoist



Yale VS III

The Yale hand chain hoist model VSIII combines all the features, expected by the user:

- Quality, Safety and Performance - at a favourable price.

Extremely low overall height allows optimal use of available headroom. Fully enclosed stamped steel housing allows also outdoor use. The hooks are equipped with robust safety latches and can rotate 360°.

Having long years of experience with this solid product, we decided to extend the VSIII series by the load capacities 10t, 20t, 30t and 50t. Hereby we attach great importance to quality and safety, in combination with a balanced price/performance ratio.

CAPACITY 250 - 5000 kg

FINISH DETAILS

- Strong bolts between side plates and housing cover and the reinforced hand wheel cover ensure increased stability.
- Precision machined guide rollers ensure smooth running of the load chain.
- High quality bearings for gearbox, side plates and load chain sheave permit a long service life.
- Zinc-plated and yellow-chromated brake parts and guide rollers ensure increased corrosion protection.
- Zinc-plated load chain as standard for added corrosion protection.

OPTIONAL

- Overload protection device (from 500 kg available)
- Chain container

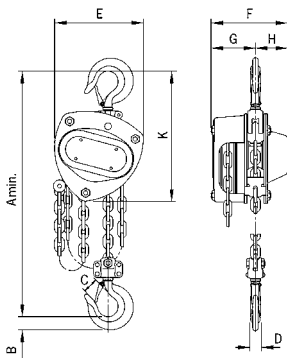


Technical data model VSIII

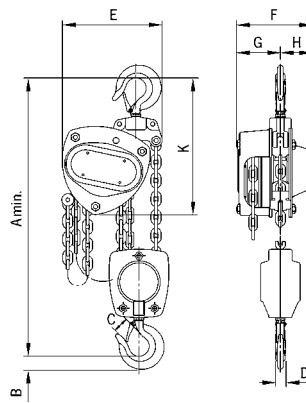
Model	EAN-No. 4025092*	Capacity in kg/ number of chain falls	Chain dimensions d x p mm	Lift per 1 m hand chain overhaul mm	Handle pull at WLL daN	Weight at standard lift (3 m) kg
VSIII 0,25/1	*665322	250/1	4x12	50	20	3.9
VSIII 0,5/1	*949545	500/1	5x15	26	21	9.0
VSIII 1,0/1	*949927	1000/1	6x18	24	24	11.5
VSIII 1,5/1	*593854	1500/1	8x24	17	30	17.5
VSIII 2,0/1	*949934	2000/1	8x24	19	32	19.0
VSIII 2,0/2	*949941	2000/2	6x18	15	29	17.3
VSIII 3,0/1	*949958	3000/1	10x30	12	40	31.0
VSIII 3,0/2	*949965	3000/2	8x24	10	37	27.0
VSIII 5,0/2	*949972	5000/2	10x30	8	41	43.0

Dimensions model VSIII

Model	VSIII 0,25/1	VSIII 0,5/1	VSIII 1,0/1	VSIII 1,5/1	VSIII 2,0/1	VSIII 2,0/2	VSIII 3,0/1	VSIII 3,0/2	VSIII 5,0/2
A min., mm	290	350	380	450	460	490	570	580	700
B, mm	12	21	27	33	37	37	46	46	56
C, mm	26	28	32	37	41	41	44	44	50
D, mm	11	16	19	22	27	27	31	31	37
E, mm	118	145	158	180	205	170	240	220	250
F, mm	113	140	155	175	180	155	210	175	190
G, mm	65	80	87	85	94	87	110	94	95
H, mm	48	60	68	90	86	68	100	81	95
K, mm	190	240	270	300	320	285	370	340	410



Model VSIII, 250 - 3000 kg, single fall



Model VSIII, 2000 - 5000 kg, double fall



Load chain sheave with
needle bearing



Side plate with ball bearing



Housing cover with ball bearing



Option: Chain container

Yale VS III

In order to serve all industries (even the paper- or the ship industry), the VS III lifts the loads very sensitively, as the components and construction parts have been positioned very precisely.

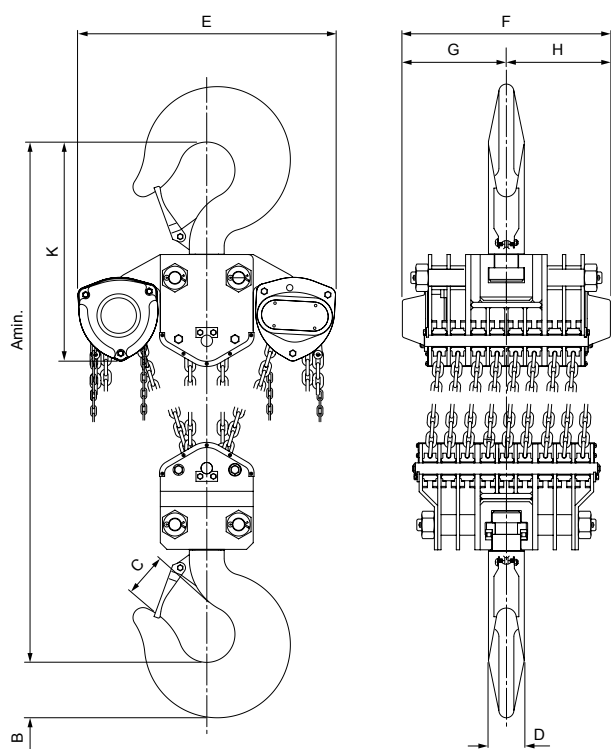
CAPACITY 10000 - 50000 kg

INFO

To avoid bruising or injuries, the chain inlet as well as the top hook connection is covered in protective material.

INFO

The hand chain hoist VS III from 10000 kg upwards can be used in combination with trolleys.



Model VS III, 50000 kg, eighteen chain falls

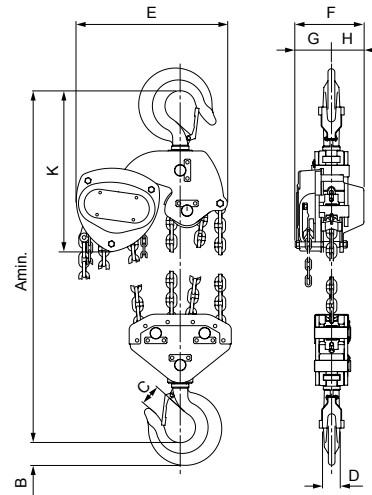


Technical data model VSIII

Model	EAN-No 4025092* 4053981**	Capacity in kg/ number of chain falls	Chain dimensions d x p mm	Lift per 1 m hand chain overhaul mm	Handle pull at WLL daN	Weight at standard lift (3 m) kg
VSIII 10/4	**981574	10000/4	10x30	2.84	37	78.5
VSIII 20/8	**981581	20000/8	10x30	1.42	44.5	197
VSIII 30/12	**981598	30000/12	10x30	0.83	46.3	268
VSIII 50/18	**981604	50000/18	10x30	0.56	53.6	540

Dimensions model VSIII

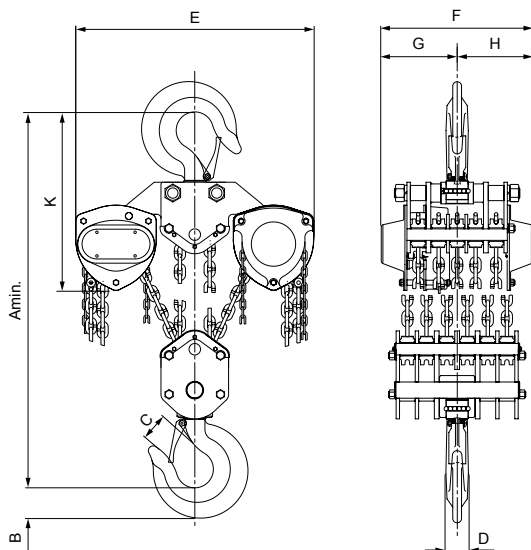
Model	VSIII 10/4	VSIII 20/8	VSIII 30/12	VSIII 50/18
A min., mm	860	950	1112	1700
B, mm	63	90	90	165
C, mm	65	86	85	135
D, mm	47	69	67	108
E, mm	463	860	704	776
F, mm	104	200	410	627
G, mm	55	100	225	314
H, mm	50	100	186	314
K, mm	448	508	528	656



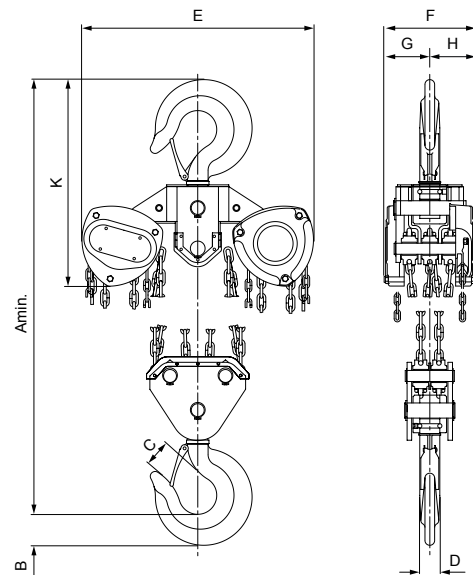
Model VSIII, 10000 kg, four chain falls

SERIES EXTENSION

NOW WITH HIGH SWL!
10000 - 50000 kg *new!*



Model VSIII, 30000 kg, twelve chain falls



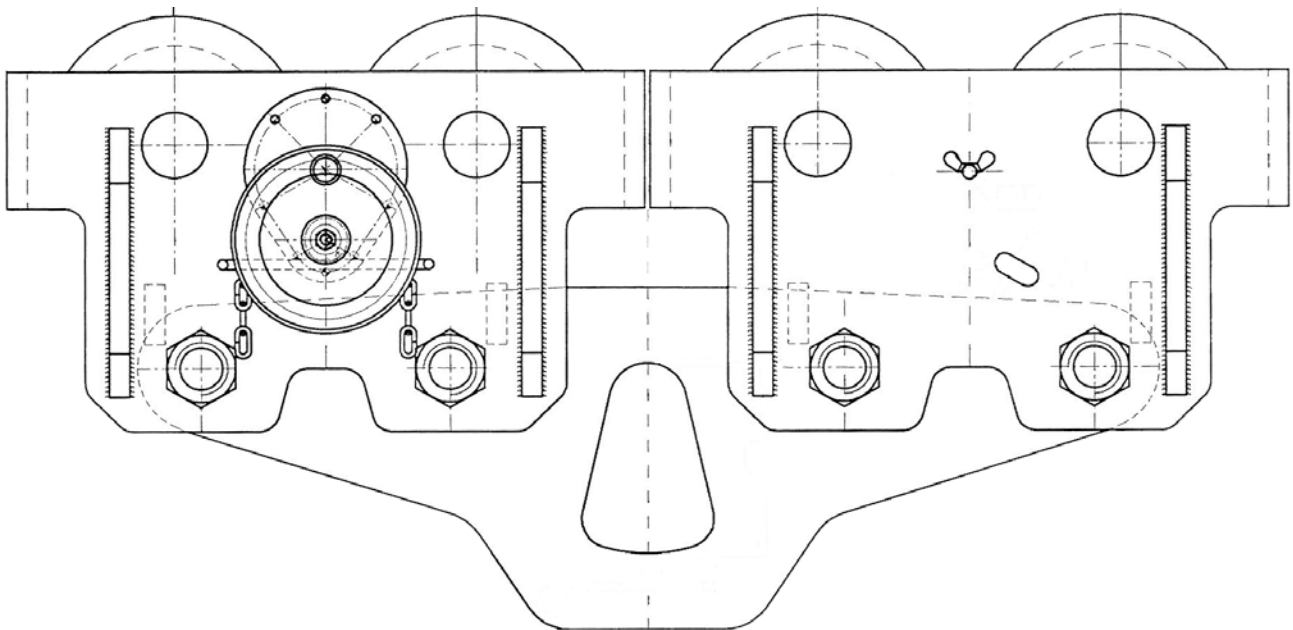
Model VSIII, 20000 kg, eight chain falls

Geared type trolley

Model HTG

The trolley enables the exact positioning or easy traversing of large loads with either manual or powered hoisting equipment.

CAPACITY 10000 - 50000 kg



FEATURES

- It has excellent rolling features due to machined steel wheels mounted on prelubricated, encapsulated ball bearings.
- Adjustable to fit a wide range of beam widths and profiles (e.g. INP, IPE and IPB).
- The trolley wheels are designed for a max. beam profile incline of 14% (DIN 1025 - part 1).

OPTIONAL

- Stainless steel hand chains.
- Buffers



HAVE WE DRAWN YOUR ATTENTION?

Find all details on our homepage
www.cmco.eu



Technical data model HTG

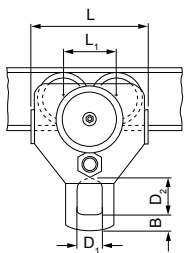
Model	EAN-No. 4025092* 4053981**	Capacity kg	Size	Beam flange width b mm	Beam flange thickness t max. mm	Curve radius min. m	Hand effort at WLL daN	Weight ¹ kg
HTG 10000	*074810	10000	B	125 - 310	40	1.8	14	104.0
HTG 20000	*074834	20000	B	125 - 310	40	5.0	29	230.0
HTG 30000	**983035	30000	B	175 - 305	34	1.6	24	248.0
HTG 50000	**983042	50000	B	175 - 305	34	5.1	25	489.0

¹Weight HTG: without hand cha

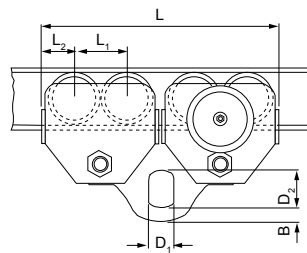
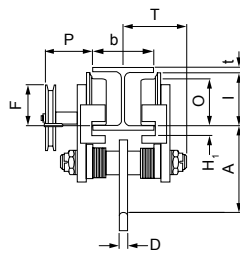
Dimensions model HTG

Modell	HTG 10000-B	HTG 20000-B	HTG 30000-B	HTG 50000-B
A, mm	276	270	261	310
B, mm	52	70	65	100
D, mm	30	35	35	60
D1, mm	80	110	90	125
D2, mm	114	155	125	195
F (HTG), mm	113	113	93	93
H1, mm	45	45	40	40
I (HTG), mm	170	170	224	224
L, mm	430	870	625	1260
L1, mm	200	200	296	296
L2, mm	-	115	164.5	164.5
O, mm	150	150	196	196
P (HTG), mm	163	163	165	165
T, mm	270	270	333	343
L3, mm	536	976	-	-

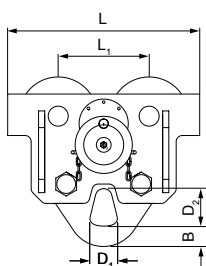
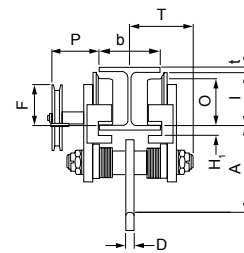
SERIES EXTENSION
NOW WITH HIGH SWL!
10000 - 50000 kg *new!*



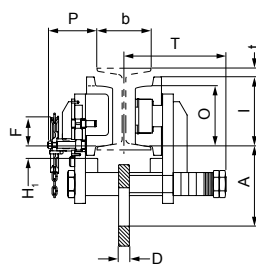
Model HTG, 10000 kg



Model HTG, 20000 kg



Model HTG, 30000 kg



Model HTG, 50000 kg

Germany

COLUMBUS McKINNON Industrial Products GmbH*

Yale-Allee 30
42329 Wuppertal
Phone: 00 49 (0) 202/69359-0
Web Site: www.cmco.eu
Web Site: www.yale.de
E-mail: info.wuppertal@cmco.eu

COLUMBUS McKINNON Engineered Products GmbH*

Am Silberpark 2-8
86438 Kissing
Phone: 00 49 (0) 8233 2121-777
Web Site: www.cmco.eu
Web Site: www.pfaff-silberblau.com
E-Mail: sales.kissing@cmco.eu

Pfaff Verkehrstechnik GmbH*

Am Silberpark 2-8
86438 Kissing
Phone: 00 49 (0) 8233 2121-4500
Web Site: www.pfaff-silberblau.com
E-Mail: verkehrstechnik@pfaff-silberblau.com

Stahlhammer Bommern GmbH**

Carl-Zeiss-Str. 7
59077 Hamm
Phone: 00 49 (0) 2381 91 49 8-0
Web Site: www.stahlhammer.de
E-Mail: stb@stahlhammer.de

Austria

COLUMBUS McKINNON Hebetchnik GmbH*

Gewerbepark, Wiener Straße 132a
2511 Pfaffstätten
Phone: 00 43 (0) 22 52/22 133-0
Web Site: www.cmco-hebetchnik.at
E-mail: zentrale@cmco.at

Switzerland

COLUMBUS McKINNON Switzerland AG

Dällikerstraße 25
8107 Buchs ZH
Phone: 00 41 (0) 44 8 51 55 77
Web Site: www.cmco.ch
E-mail: info.buchs@cmco.eu

Italy

COLUMBUS McKINNON Italia S.r.l.

Via 11 Settembre 26
20023 Cerro Maggiore (MI)
Phone: 00 39 (0) 331/57 63 29
Web Site: www.cmco.it
E-mail: vendite@cmco.eu

Netherlands

COLUMBUS McKINNON Benelux B.V.*

Flight Forum 128 a
5657 DD Eindhoven
Phone: 00 31 (0) 40/3 03 26 81
Web Site: www.cmco.eu
E-mail: sales.nl@cmco.eu

France

COLUMBUS McKINNON France SARL*

Zone Industrielle des Forges
18108 Vierzon Cedex
Phone: 00 33 (0) 248/71 85 70
Web Site: www.cmco-france.com
E-mail: sales.fr@cmco.eu

Duff-Norton Europe****

45 Route Nationale
02310 Romeny Sur Marne
Phone: 00 33 (0) 323 70 70 00
Web Site: www.duffnorton.fr
E-mail: duff-france@duffnorton.fr

Great Britain

COLUMBUS McKINNON Corporation Ltd.***

Knutsford Way, Sealand Industrial Estate
Chester CH1 4NZ
Phone: 00 44 (0) 1244 375375
Web Site: www.cmco.eu
E-mail: sales.uk@cmco.eu

Northern Ireland & Republic of Ireland

COLUMBUS McKINNON Corporation Ltd.

1A Ferguson Centre
57-59 Manse Road
Newtownabbey BT36 6RW
Northern Ireland
Phone: 00 44 (0) 2890 840697
Web Site: www.cmco.eu
E-mail: sales.ni@cmco.eu

COLUMBUS McKINNON Ireland Ltd.

Unit 4, South Court
Wexford Road Business Park
Co. Carlow
Phone: 00 353 (0) 59 918 6605
Web Site: www.cmco.eu
E-Mail: info.ir@cmco.eu

Spain & Portugal

COLUMBUS McKINNON Ibérica S.L.U.

Ctra. de la Esclusa, 21 acc. A
41011 Sevilla
Phone: 00 34 954 29 89 40
Web Site: www.cmiberica.com
E-mail: informacion@cmco.eu

Poland

COLUMBUS McKINNON Polska Sp.z o.o.

ul. Owstiana 14
62-064 PLEWISKA
Phone: 00 48 (0) 61 6 56 66 22
Web Site: www.cmco-polska.pl
E-Mail: kontakt@columbus-mckinnon.pl

Hungary

COLUMBUS McKINNON Hungary Kft.*

Vásárhelyi út 5. VI ép
8000 Székesfehérvár
Phone: 00 36 (22) 880-540
Web Site: www.cmco.hu
E-mail: sales.hungary@cmco.eu

Turkey

COLUMBUS McKINNON Kaldırma Ekip. San. ve Tic. Ltd. Şti.

Davutpaşa Caddesi
Emintaş Davutpaşa
Matbaacılar Sitesi No. 103/233-234
34010. Topkapı-Istanbul
Phone: 00 90 (212) 210 7 555
Web Site: www.cmco.eu
E-mail: info.turkey@cmco.eu

South Africa

CMCO Material Handling (Pty) Ltd.*

P.O. Box 15557
Westmead, 3608
Phone: 00 27 (0) 31/700 43 88
Web Site: www.cmcosa.co.za
E-mail: sales@cmcosa.co.za

Yale Engineering Products (Pty) Ltd.

P.O. Box 4431
Honeydew, 2040
Phone: 00 27 (0) 11/794 29 10
Web Site: www.yalejhb.co.za
E-mail: info@yalejhb.co.za

Yale Lifting Solutions (Pty) Ltd.*

P.O. Box 592
Magaliesburg, 1791
Phone: 00 27 (0) 14/577 26 07
Web Site: www.yale.co.za
E-mail: sales@yalelift.co.za

Yale Lifting Solutions Industrial Division (Pty) Ltd

P.O.Box 19342
Pretoria West, 0117
Phone: 00 27 (0) 12/327 06 96
Web Site: www.pfaffhoist.co.za
E-mail: sales@pfaffhoist.co.za

Russia

COLUMBUS McKINNON Russia LLC

ul. Marshala Govorova 35A
Business Center "Propaganda"
198095 St. Petersburg
Phone: 007 (812) 322 68 38
Web Site: www.cmco.ru
E-mail: info@cmco.ru

