

Excavator Hook - Metric Thread Model No. 8-083



Main Features

- Manufactured from forged alloy steel, quenched and tempered
- Tested and certified by DGUV GS-OA-15-03.
- Load rated parts are 100 % magnaflux crack detected
- Individual forged parts are traceable to Test Certification
- All YOKE Lifting points meet or exceed all the requirements of ASME B30.26
- WLL forged onto each product for quick and easy identification
- Lugs designed to assist the welding process

Certification:

Each unit comes fully certified with a test certificate or an EC Declaration of Conformity stating compliance with the essential health and safety requirements of the Machinery Directive 2006/42/EC, the Supply of Machinery (Safety) Regulations 2008 and Section 6 of the Health and Safety at Work Etc Act 1974.

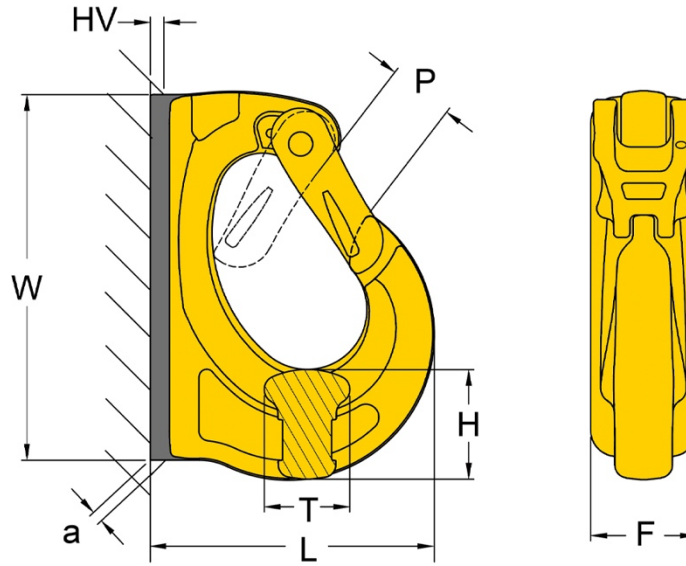
Manufactured and tested in accordance with EN1677-1. All YOKE Lifting points meet or exceed all the requirements of ASME B30.26.

Technical Data Metric

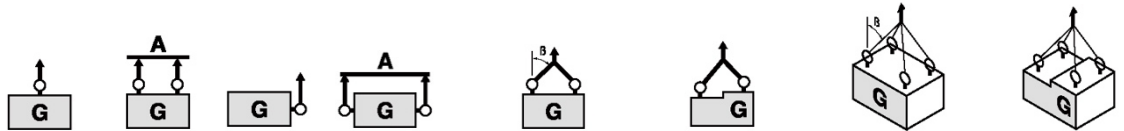
Product Code	Capacity (tonne)	Dimensions (mm)								Net Weight (kg)
		F	H	L	P	T	W	HV	α	
8-083-0075	0.75	19	20	56	19	13	82	5	3	0.3
8-083-01	1.00	25	27	72	27	17	95	6	4	0.6
8-083-02	2.00	30	30	86	33	20	114	8	5	0.9
8-083-03	3.00	35	32	105	30	23	132	10	6	1.4
8-083-04	4.00	42	38	112	30	29	140	11	7	1.9
8-083-05	5.00	45	47	131	32	30	165	12	8	2.9
8-083-08	8.00	50	51	133	34	40	172	13	9	3.5
8-083-10	10.00	55	57	170	51	43	220	14	9	6.3
8-083-15	15.00	60	67	191	53	50	240	15	12	8.8

Technical Data Imperial

Product Code	Capacity (tonne)	Dimensions (inch)								Net Weight (lbs)
		F	H	L	P	T	W	HV	α	
8-083-0075	0.75	0.75	0.79	2.20	0.75	0.51	3.21	0.20	0.12	0.6
8-083-01	1.00	0.98	1.06	2.83	1.06	0.67	3.74	0.24	0.16	1.2
8-083-02	2.00	1.18	1.18	3.39	1.30	0.79	4.49	0.31	0.20	2.0
8-083-03	3.00	1.38	1.26	4.13	1.18	0.91	5.20	0.39	0.24	3.1
8-083-04	4.00	1.65	1.50	4.41	1.18	1.14	5.51	0.43	0.28	4.3
8-083-05	5.00	1.77	1.85	5.16	1.26	1.18	6.50	0.47	0.31	6.3
8-083-08	8.00	1.97	2.01	5.24	1.34	1.57	6.77	0.51	0.35	7.7
8-083-10	10.00	2.17	2.24	6.69	2.01	1.69	8.66	0.55	0.35	14.0
8-083-15	15.00	2.36	2.64	7.52	2.09	1.97	9.45	0.59	0.47	19.3



Kind of attachment



Number of legs	1	2	1	2	2	2	2	3-4	3-4	3-4
Load direction	0°	0°	90°	90°	0-45°	45°-60°	unsymm.	0-45°	45°-60°	unsymm.
Product Code	WLL (t)									
8-083-01	1.0	2.0	1.0	2.0	1.4	1.0	1.0	2.1	1.5	1.0
8-083-02	2.0	4.0	2.0	4.0	2.8	2.0	2.0	4.2	3.0	2.0
8-083-03	3.0	6.0	3.0	6.0	4.2	3.0	3.0	6.3	4.5	3.0
8-083-04	4.0	8.0	4.0	8.0	5.6	4.0	4.0	8.4	6.0	4.0
8-083-05	5.0	10.0	5.0	10.0	7.0	5.0	5.0	10.5	7.5	5.0
8-083-08	8.0	16.0	8.0	16.0	11.2	8.0	8.0	16.8	12.0	8.0
8-083-10	10.0	20.0	10.0	20.0	14.0	10.0	10.0	21.0	15.0	10.0
8-083-15	15.0	30.0	15.0	30.0	21.0	15.0	15.0	31.5	22.5	15.0

Due to our policy of continual product development, dimensions, weights and specifications may change without prior notice. Please check with your Tiger sales team when ordering.