

Lashing Weld On Point Model No. 8-0576



Main Features

- Lashing ring pivots 180°
- Full Lashing Capacity in all directions
- Manufactured from forged alloy steel, quenched and tempered
- Tested in accordance with EN1677-1
- 100 % magnaflux crack detected
- Parts individually forged with batch code to ensure full traceability
- The permitted lashing capacity “LC” in daN forged onto each product for quick and easy identification
- Lugs designed to assist the welding process
- A protected spring keeps the lashing ring in the required position. The parts are connected in such a way that they remain captive. The spring also reduces noise caused by vibrations



Certification:

Each unit comes fully certified with a test certificate or an EC Declaration of Conformity stating compliance with the essential health and safety requirements of the Machinery Directive 2006/42/EC, the Supply of Machinery (Safety) Regulations 2008 and Section 6 of the Health and Safety at Work Etc Act 1974.

Manufactured and tested in accordance with EN1677-1. All YOKE Lifting points meet or exceed all the requirements of ASME B30.26.

Technical Data - Metric

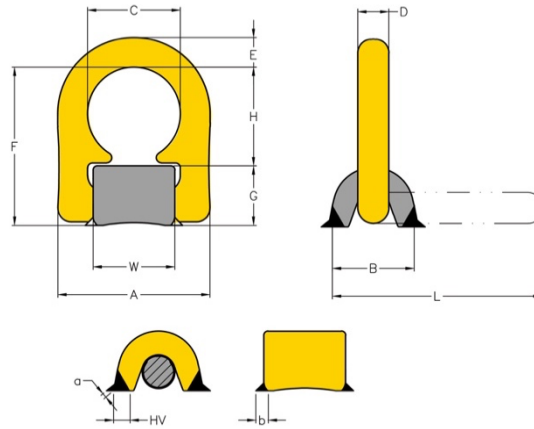
Product Code	Lashing Capacity (daN)	Dimensions (mm)													Net Weight (kg)
		A	B	C	D	E	F	G	H	L	W	HV	α	b	
8-0576-030	3000	64	31	38	13	13	63	24	39	84	32	5	3	3	0.32
8-0576-050	5000	74	39	45	16	15	75	28	47	98	39	8	3	3	0.49
8-0576-080	8000	84	40	51	16	17	81	29	52	108	45	9	3	3	0.67
8-0576-134	13400	110	60	67	23	22	115	43	72	152	59	12	4	4	1.71
8-0576-200	20000	122	72	67	27	22	124	51	73	165	59	17	5	7	2.45
8-0576-320	32000	180	92	100	26	32	172	66	106	228	89	25	6	8	6.33

*Design Factor 2:1

Technical Data - Imperial

Product Code	Lashing Capacity (lbs)	Dimensions (inch)													Net Weight (lbs)
		A	B	C	D	E	F	G	H	L	W	HV	α	b	
8-0576-030	6600	2.52	1.22	1.50	0.51	0.51	2.48	0.95	1.54	3.31	1.26	0.20	0.12	0.12	0.70
8-0576-050	11000	2.91	1.54	1.77	0.63	0.59	2.95	1.10	1.85	3.86	1.54	0.32	0.12	0.12	1.08
8-0576-080	17600	3.31	1.58	2.01	0.63	0.67	3.19	1.14	2.05	4.25	1.77	0.35	0.12	0.12	1.47
8-0576-134	29500	4.33	2.36	2.64	0.91	0.87	4.53	1.69	2.84	5.99	2.32	0.47	0.16	0.16	3.76
8-0576-200	44000	4.80	2.84	2.64	1.06	0.87	4.88	2.01	2.87	6.50	2.32	0.67	0.20	0.28	5.39
8-0576-320	70400	7.09	3.62	3.94	1.02	1.26	6.77	2.60	4.17	8.98	3.50	0.98	0.24	0.32	13.93

*Design Factor 2:1



Due to our policy of continual product development, dimensions, weights and specifications may change without prior notice. Please check with your Tiger sales team when ordering.