

Super Weld On Point Model No. 8-0575



Main Features

- Load ring pivots 180°
- Full Loading Capacity in all directions
- Manufactured from forged alloy steel, quenched and tempered
- Tested in accordance with EN1677-1
- 100 % magnaflux crack detected
- Parts individually forged with batch code to ensure full traceability
- The permitted WLL forged onto each product for quick and easy identification
- Lugs designed to assist the welding process
- A protected spring keeps the loading ring in the required position. The parts are connected in such a way that they remain captive. The spring also reduces noise caused by vibrations



Certification:

Each unit comes fully certified with a test certificate or an EC Declaration of Conformity stating compliance with the essential health and safety requirements of the Machinery Directive 2006/42/EC, the Supply of Machinery (Safety) Regulations 2008 and Section 6 of the Health and Safety at Work Etc Act 1974.

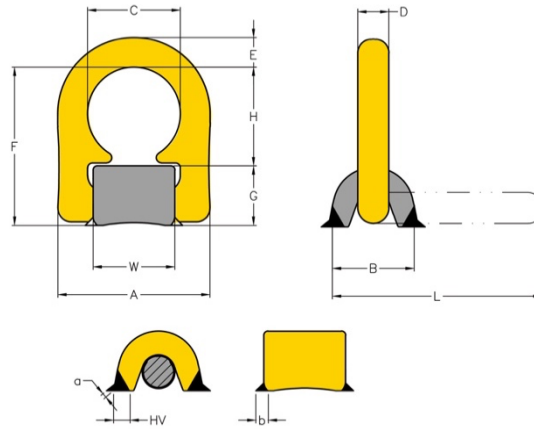
Manufactured and tested in accordance with EN1677-1. All YOKE Lifting points meet or exceed all the requirements of ASME B30.26.

Technical Data - Metric

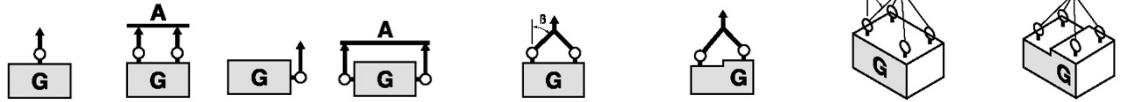
Product Code	Capacity (tonne)	Dimensions (mm)													Net Weight (kg)
		A	B	C	D	E	F	G	H	L	W	HV	a	b	
8-0575-015	1.5	64	31	38	13	13	63	24	39	84	32	5	3	3	0.32
8-0575-025	2.5	74	39	45	16	15	75	28	47	98	39	8	3	3	0.49
8-0575-040	4.0	84	40	51	16	17	81	29	52	108	45	9	3	3	0.67
8-0575-067	6.7	110	60	67	23	22	115	43	72	152	59	12	4	4	1.71
8-0575-100	10.0	122	72	67	27	22	124	51	73	165	59	17	5	7	2.45
8-0575-160	16.0	180	92	100	26	32	172	66	106	228	89	25	6	8	6.33

Technical Data - Imperial

Product Code	Capacity (tonne)	Dimensions (inch)													Net Weight (lbs)
		A	B	C	D	E	F	G	H	L	W	HV	a	b	
8-0575-015	3300	2.52	1.22	1.50	0.51	0.51	2.48	0.95	1.54	3.31	1.26	0.20	0.12	0.12	0.70
8-0575-025	5500	2.91	1.54	1.77	0.63	0.59	2.95	1.10	1.85	3.86	1.54	0.32	0.12	0.12	1.08
8-0575-040	8800	3.31	1.58	2.01	0.63	0.67	3.19	1.14	2.05	4.25	1.77	0.35	0.12	0.12	1.47
8-0575-067	14750	4.33	2.36	2.64	0.91	0.87	4.53	1.69	2.84	5.99	2.32	0.47	0.16	0.16	3.76
8-0575-100	22000	4.80	2.84	2.64	1.06	0.87	4.88	2.01	2.87	6.50	2.32	0.67	0.20	0.28	5.39
8-0575-160	35200	7.09	3.62	3.94	1.02	1.26	6.77	2.60	4.17	8.98	3.50	0.98	0.24	0.32	13.93



Kind of attachment



Number of legs	1	2	1	2	2	2	2	3-4	3-4	3-4
Load direction	0°	0°	90°	90°	0-45°	45°-60°	unsymm.	0-45°	45°-60°	unsymm.
Product Code	WLL (t)									
8-0575-015	1.5	3.0	1.5	3.0	2.1	1.5	1.5	3.2	2.3	1.5
8-0575-025	2.5	5.0	2.5	5.0	3.5	2.5	2.5	5.3	3.8	2.5
8-0575-040	4.0	8.0	4.0	8.0	5.6	4.0	4.0	8.4	6.0	4.0
8-0575-067	6.7	13.4	6.7	13.4	9.4	6.7	6.7	14.1	10.1	6.7
8-0575-100	10.0	20.0	10.0	20.0	14.0	10.0	10.0	21.0	15.0	10.0
8-0575-160	16.0	32.0	16.0	32.0	22.4	16.0	16.0	33.6	24.0	16.0

Due to our policy of continual product development, dimensions, weights and specifications may change without prior notice. Please check with your Tiger sales team when ordering.