

**EN 795/B  
TS16415/B**

Reference  
number:

**ST 030 (AT-130)**

**READ CAREFULLY BEFORE  
USE THE EQUIPMENT**

**DESCRIPTION**

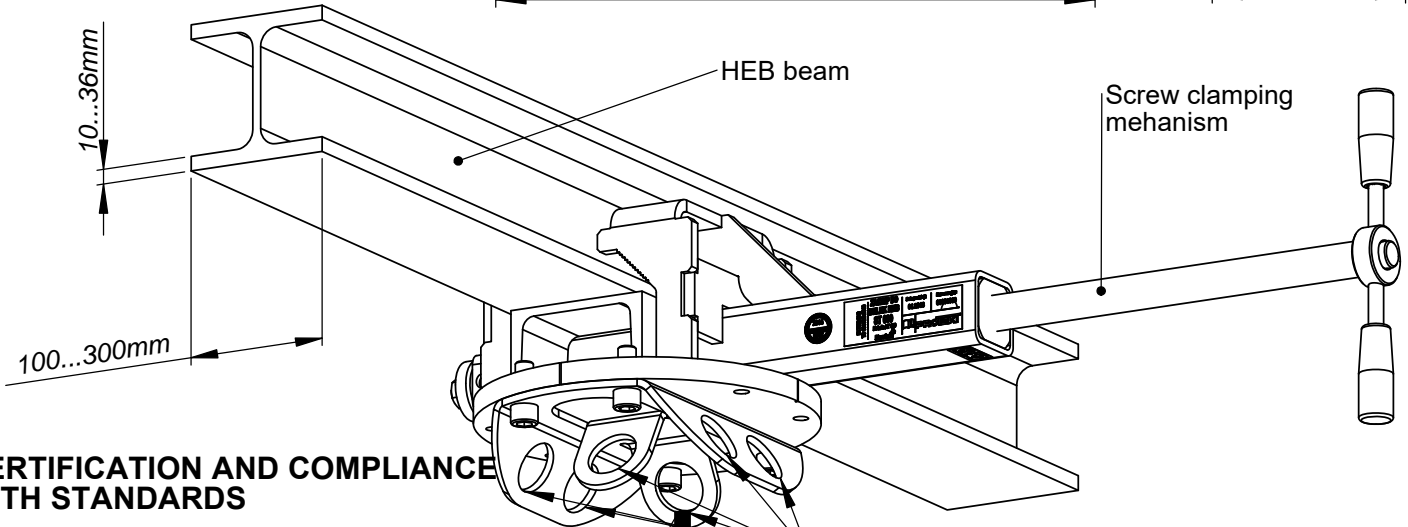
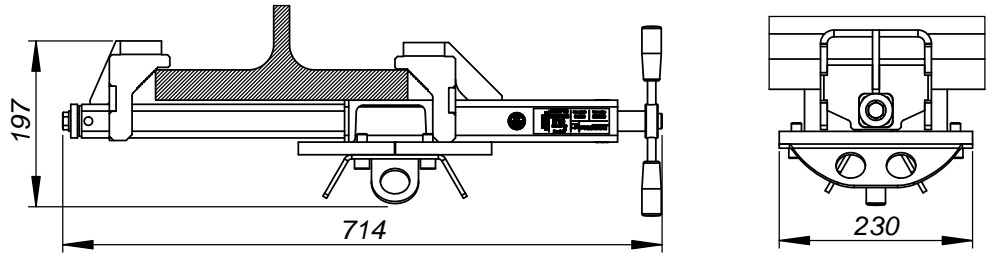
HEB beams anchor device ST030 is a component of personal protective equipment against fall from a height. It is used as a portable anchor point for HEB beams. Device has to be used in conjunction with fall arrest equipment. Device has been tested according to EN 795/B and TS 16415/B.

Device provides protection for max. six people in any case.

Device consist of screw clamping mechanism and plate with six attachment points (one point for one user). Device is made of galvanized, powder painted steel.

**TECHNICAL DATA**

max. number of users	6 people
HEB beam shelf width	100...300mm
weight	~16,5kg
dimensions	72x20x23 cm



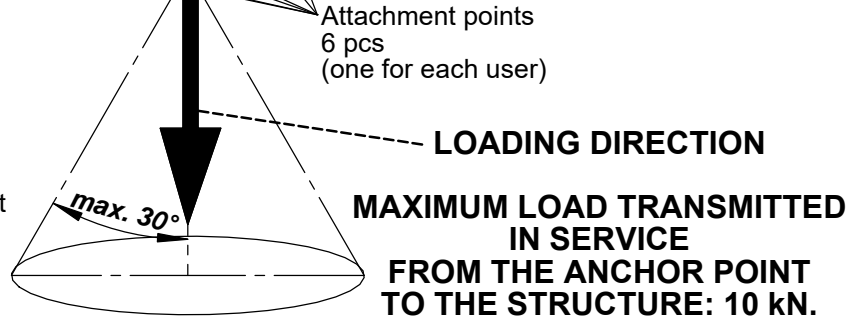
**CERTIFICATION AND COMPLIANCE WITH STANDARDS**

**a) EN 795:2012 type B**

Equipment use as a transportable temporary anchor point **for one person**. EC certificate.

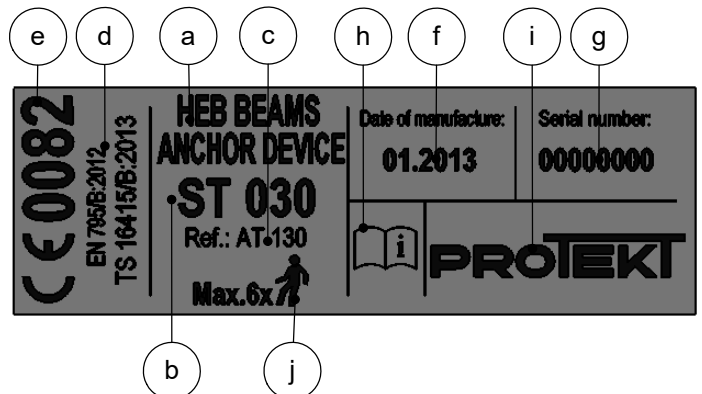
**b) TS 16415:2013 type B**

Equipment use as a transportable temporary anchor point **for six people**. Compliance with standard and document TS 16415/B:2013. Not covered by the EC certificate.



**CONTENT OF THE IDENTITY LABEL**

- a) Device type.
- b) Model symbol.
- c) Reference number.
- d) Number/year/type of the European standard.
- e) CE marking and number of a notified body controlling manufacturing of the equipment.
- f) Month and year of manufacture.
- g) Serial number of the tripod.
- h) Caution: read the manual.
- i) Marking of the manufacturer or distributor of the tripod.
- j) Maximum number of users permitted simultaneously.



Month and year of the manufacturer's next inspection. Don't use the device after this date.

Attention: Before the first use mark the date of inspection (date of first use + 12 months, e.g. first use 01.2013 - mark inspection 01.2014).

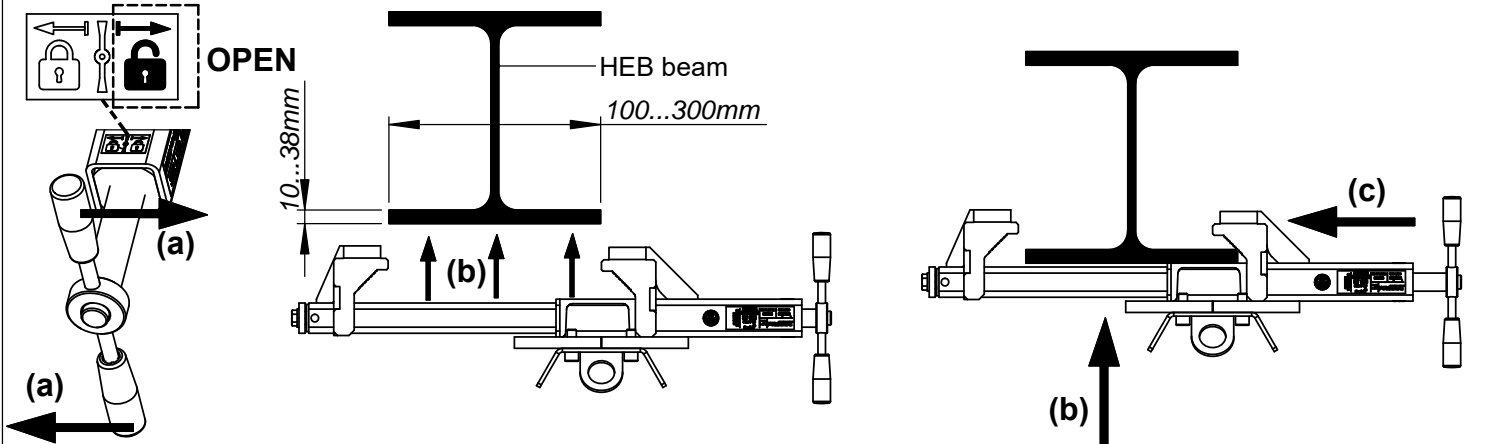
"Next inspection label" placed near Identity Label.

## DEVICE INSTALLATION AND USAGE

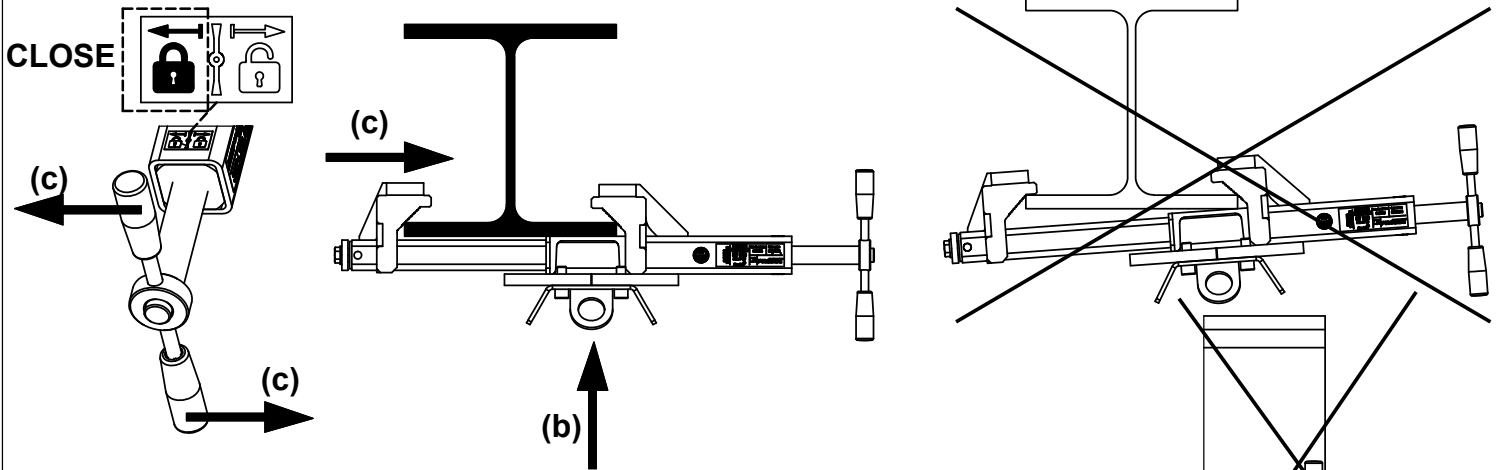
1. The HEB beam on which the beam clamp ST030 will be fastened must be mounted to the stable structure and have minimal static resistance 12kN (for one person) and +1kN for every additional person (e.g. 6 people - 17kN). The beam must be situated horizontally above the user.

**ATTENTION:** It is strictly forbidden to use the beam clamp on vertical or skew anchor beam. Before use the beam stability of fastening and strength has to be checked and approved by a professional engineer.

2. Open the jaws of the clamp using screw mechanism (a). Push the device into lower part of the beam (b). Press jaw placed near the screw mechanism to the edge of the beam (c).



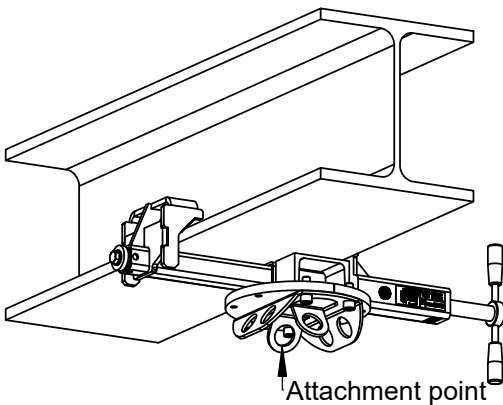
3. Close the jaws of the clamp using screw mechanism (d) while pushing device to the surface of the beam (b).



### ATTENTION

The jaws must be closed symmetrically on the beam. Check stability of the connection. Make sure there is no possibility of self acting disconnection the clamp from the beam.

4. Attach fall arrest device using certified connector in accordance EN 362.



Attachment point  
One for one person.

### ATTENTION

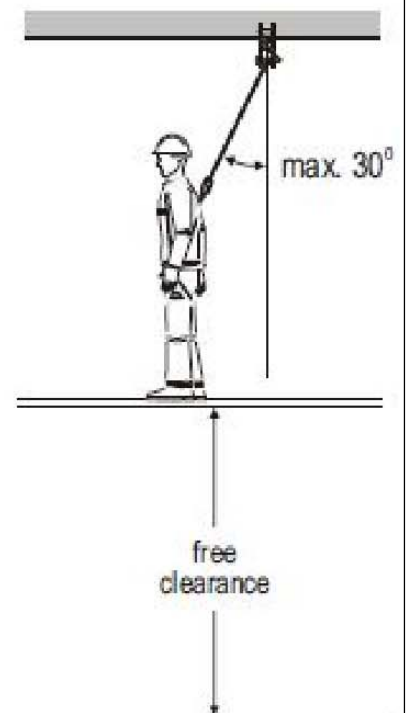
One attachment point is designed to use by one person.  
DO NOT attach more than one person to the attachment point.

5. Connect fall arrest device to the dorsal or the frontal attachment point of the certified full body harness in accordance with EN 361. Attachment points of the harness intended to be marked with letter "A".

6. To avoid a danger of collision of working worker with any object or a ground there must be a free clearance below the working level. The minimal distance of the free clearance must be conformable with instructions of fall arrest system which is used with the clamp.

7. Fall arrest system should be tensioned during the work to eliminate the slack of it and to reduce the distance of a free fall.

8. The admissible deflection of the fall arrest device from a vertical line is 30°.



## GENERAL PRECAUTIONS

- AVOID working where the user may swing and hit an object or where lines may cross or tangle with that of another worker in the area.
- Fall arrest and rescue systems used with this device MUST MEET applicable EN standards requirements (EN 795 for anchor devices; EN 362 for connectors; EN 361 for full body harnesses; EN 360 for retractable type fall arresters; EN 1496 for rescue lifting devices; EN 1497 for rescue harnesses; EN 341 for descender devices).
- The Maximum Arrest Force (MAF) to which a user of a Fall Arrest System (FAS), who wears a full body harness, is exposed during an arrest of his/her fall is limited by law 6 kN in EU. The system used to protect user against fall from height must include fall protection equipment reducing the Maximum Arrest Force, acting on the user while arresting the fall, to maximum value of 6kN (e.g. fall safety energy absorber with lanyard or retractable fall arrester).
- Make sure that device is properly installed and stable. The beam and construction must support the load.

## THE ESSENTIAL PRINCIPLES OF USE OF PERSONAL PROTECTIVE EQUIPMENT

- Personal Protective Equipment (PPE) shall only be used by a person trained and competent in its safe use.
- PPE must not be used by a person with medical condition that could affect the safety of the equipment user in normal and emergency use.
- A rescue plan shall be in place to deal with any emergencies that could arise during the work.
- It is forbidden to make any alterations or additions to the equipment without the manufacturer's prior written consent.
- Any repair shall only be carried out by equipment manufacturer or his certified representative.
- PPE shall not be used outside its limitations, or for any purpose other than that for which it is intended.
- PPE should be a personal issue item.
- Anchor device SHOULD ONLY BE USED for personal fall protection equipment - NOT FOR lifting equipment.
- Before use ensure about the compatibility of items equipment assembled into fall arrest system. Periodically check connecting and adjusting of the equipment components to avoid accidental loosening or disconnecting of the components.
- It is forbidden to use combinations of items of equipment in which the safe function of any one item is affected by or interferes with the safe function of another.
- It is essential for the safety of the user that if the product is re-sold outside the original country of destination the reseller shall provide instruction for use, for maintenance, for periodic examination and for repair in language of the country in which the product is to be sold.
- A full body harness (conforming EN 361) is the only acceptable body holding device that can be used in a fall arrest system.
- On full body harness use only attaching points marked with big letter "A" to attach a fall arrest system.
- It is obligatory to verify the free space required beneath the user at the workplace before each occasion of use the fall arrest system, so that, in the case of a fall, there will be no collision with the ground or other obstacle in the fall path. The required value of the free space should be taken from instruction manual of used equipment.
- There are many hazards that may affect the performance of the equipment and corresponding safety precautions that have to be observed during equipment utilization, especially: trailing or looping of lanyards or lifelines over sharp edges, any defects like cutting, abrasion, corrosion, climatic exposure, pendulum falls, extremes of temperature, chemical reagents, electrical conductivity.

## INSPECTION

Before each use of personal protective equipment it is obligatory to carry out a pre-use check of the equipment, to ensure that it is in a serviceable condition and operates correctly before it is used.

During pre-use check it is necessary to inspect all elements of the equipment in respect of any damages, excessive wear, corrosion, abrasion, cutting or incorrect acting, especially take into consideration:

- in full body harnesses and belts - buckles, adjusting elements, attaching points, webbings, seams, loops;
- in energy absorbers - attaching loops, webbing, seams, casing, connectors;
- in textile lanyards or lifelines or guidelines - rope, loops, thimbles, connectors, adjusting elements, splices;
- in steel lanyards or lifelines or guidelines - cable, wires, clips, ferrules, loops, thimbles, connectors, adjusting elements;
- in retractable fall arresters - cable or webbing, retractor and brake proper acting, casing, energy absorber, connector;
- in guided type fall arresters - body of the fall arrester, sliding function, locking gear acting, rivets and screws, connector, energy absorber;
- in connectors - main body, rivets, gate, locking gear acting;
- in tripods - legs, safety pins, eye bolts, feet, chain, connecting elements.

## PERIODIC INSPECTION

After every 12 months of utilization, personal protective equipment must be withdrawn from use to carry out periodical detailed inspection. The periodic inspection must be carried out by a competent person for periodic inspection. The periodic inspection can be carried out also by the manufacturer or his authorized representative. In case of some types of the complex equipment e.g. some types of retractable fall arresters the annual inspection can be carried out only by the manufacturer or his authorized representative.

During this inspection will be established admissible time of the device use till next manufacturer's inspection.

The result of the inspection must be recorded in Identity Card.

Regular periodic inspections are the essential for equipment maintenance and the safety of the users which depends upon the continued efficiency and durability of the equipment.

During periodic inspection it is necessary to check the legibility of the equipment marking.

## ADMISSIBLE TIME OF USE

The tripod can be used for 5 years counting from a date of putting the tripod into operation. After this period the tripod must be withdrawn from use to carry out manufacturer's detailed inspection.

The manufacturer's inspection can be carried out by:

- manufacturer
- person recommended by manufacturer
- company recommended by manufacturer.

During this inspection will be established admissible time of tripod use till next manufacturer's inspection and recorded in Identity Card.

## WITHDRAWAL FROM USE

Personal protective equipment must be withdrawn from use immediately when any doubt arise about its condition for safe use and not used again until confirmed in writing by equipment manufacturer or his representative after carried out the detailed inspection.

## WITHDRAWN FROM USE AFTER ARRESTING A FALL

Device must be withdrawn from use immediately when it have been used to arrest a fall. After that must be carried out detailed manufacturer's inspection of the tripod.

The manufacturer's inspection can be carried out by:

- manufacturer
- person recommended by manufacturer
- company recommended by manufacturer.

During this inspection will be established if the tripod can be longer used and will be define the admissible time of tripod use till next manufacturer's inspection and recorded in Identity Card.

## TRANSPORTATION

Personal protective equipment must be transported in the package (e.g.: bag made of moisture-proof textile or foil bag or cases made of steel or plastic) to protect in against damage or moisture.

## MAINTENANCE AND STORAGE

The equipment can be cleaned without causing adverse effect on the materials in the manufacture of the equipment. For textile products use mild detergents for delicate fabrics, wash by hand or in a machine and rinse in water. Plastic parts can be cleaned only with water. When the equipment becomes wet, either from being in use or when due cleaning, it shall be allowed to dry naturally, and shall be kept away from direct heat. In metallic products some mechanic parts (spring, pin, hinge, tec.) can be regularly slightly lubricated to ensure better operation. Other maintenance and cleaning procedures should be adhered to detailed instructions stated in the manual of the equipment.

Personal protective equipment should be stored loosely packed, in a well-ventilated place, protected from direct light, ultraviolet degradation, damp environment, sharp edges, extreme temperatures and corrosive or aggressive substances.

**NOTES**

.....

.....

.....

.....

**IDENTITY CARD**

IT IS RESPONSIBILITY OF THE USER ORGANISATION TO PROVIDE THE IDENTITY CARD AND TO FILL IN THE DETAILS REQUIRED. THE IDENTITY CARD SHOULD BE FILLED IN ONLY BY COMPETENT PERSON RESPONSIBLE FOR PROTECTIVE EQUIPMENT. THE IDENTITY CARD SHOULD BE FILLED IN BEFORE THE FIRST USE OF THE EQUIPMENT. ANY INFORMATION ABOUT THE EQUIPMENT LIKE: PERIODIC INSPECTIONS, REPAIRS, REASONS OF EQUIPMENT'S WITHDRAWN FROM USE SHALL BE NOTED. THE IDENTITY CARD SHOULD BE STORED DURING A WHOLE PERIOD OF EQUIPMENT UTILIZATION. DO NOT USE THE EQUIPMENT WITHOUT THE IDENTITY CARD.

<b>MODEL AND TYPE OF EQUIPMENT</b>	
<b>REF. NUMBER</b>	
<b>SERIAL NUMBER</b>	
<b>DATE OF MANUFACTURE</b>	
<b>DATE OF PURCHASE</b>	
<b>DATE OF FIRST USE</b>	
<b>USER NAME</b>	

**PERIODIC EXAMINATION AND REPAIR HISTORY**

	<b>DATE</b>	<b>REASON FOR SERVICING / REPAIR</b>	<b>REPAIRS CARRIED OUT</b>	<b>NAME AND SIGNATURE OF COMPETENT PERSON</b>	<b>DATE OF NEXT EXAMINATION</b>
1					
2					
3					
4					
5					
6					
7					
8					
9					

**PRODUCER:**

PROTEKT, 93-403 LODZ, ul. Starorudzka 9, POLAND, tel: +48 (42) 680 20 83, fax: +48 (42) 680 20 93, www.protekt.com.pl