

Forklift Jibs - Tele-Liner Range



An inexpensive jib which gives longer reach capabilities for picking up a product which is difficult to palletise.

Incorporates mechanically extending inner section for extra reach

Supplied with two hooks and shackles which can be moved to any of the eleven suitable lifting positions

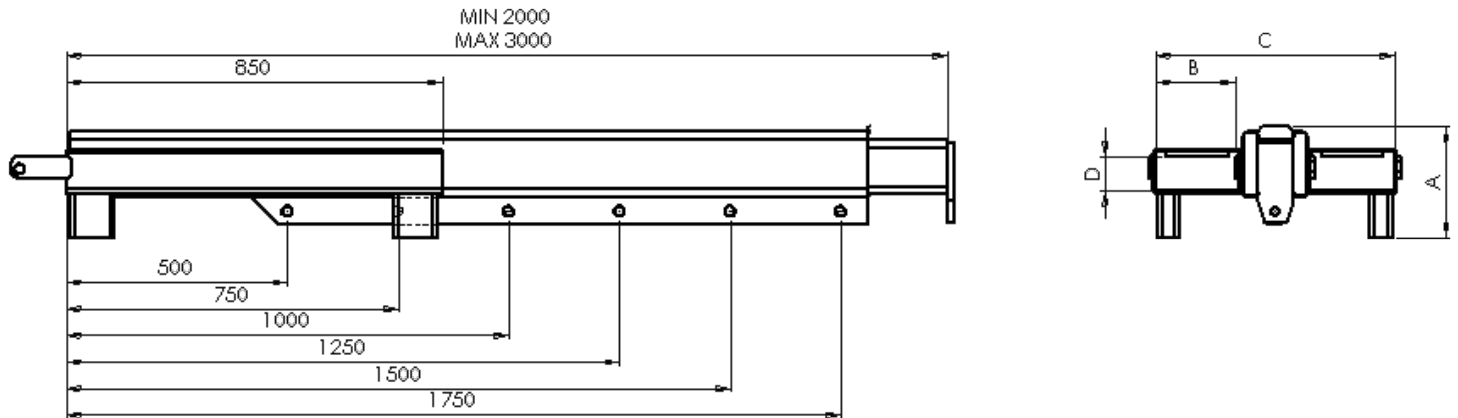
Model Ref	Minimum Truck Capacity (kg)	Capacity (kg) at Load Centre (mm)										
		500	750	1000	1250	1500	1750	2000	2250	2500	2750	3000
LLX 500-1.8	2000	1800	1400	1100	900	720	580	500	360	330	260	210
LLX 500-2.2	2500	2200	1800	1400	1100	1000	830	750	560	440	320	230
LLX 500-2.7	3000	2700	2050	1450	1200	1100	900	840	670	490	360	270
LLX 500-3.1	3500	3100	2500	1900	1500	1200	1000	900	730	580	450	370
LLX 500-3.5	4000	3500	2700	2000	1600	1300	1100	1000	820	670	540	460
LLX 500-4.4	5000	4400	3400	2700	2200	1850	1400	1100	900	750	620	500

Features & Benefits

- Low profile design allows for better access into places where space is limited
- Extends out to 3000mm to allow loads to be picked up at greater distances
- Jib rated to suit the capacity of the lift truck,, which helps to reduce wear & tear and possible overloading
- Multiple hook positions for flexible load handling whilst reducing handling costs
- Long jib arm helps reach otherwise inaccessible places
- Heel retaining pins ensures jib is safely secured to the forklift forks
- CE marked and supplied with certificate of conformity for health & safety regulations

Forklift Jibs - Tele-Liner Range

Jib Dimensions



Model Ref	"A" (mm)	"B" (mm)	"C" (mm)	"D" (mm)	Weight (kg)
LLX 500-1.8	221	130	390	50	100
LLX 500-2.2	221	130	390	50	103
LLX 500-2.7	252	160	540	60	179
LLX 500-3.1	252	160	540	60	179
LLX 500-3.5	252	160	540	60	186
LLX 500-4.4	252	160	540	60	186