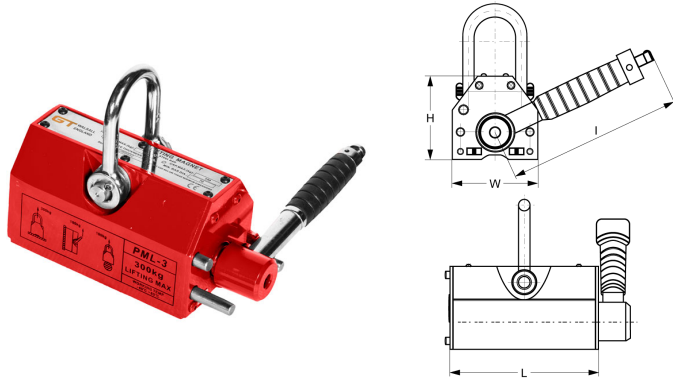


GT Permanent Magnetic Lifter – PML



- Permanent Magnetic Lifter for safe, easy operation and handling.
- Designed for the lifting & handling of magnetic material.
- Requires no extra power, strong magnetic force.
- Red painted finish.
- Conforms to BS EN 13155.
- Temperature range -40°C up to +80°C.
- Marked in accordance with BS EN 13155.
- Certs available **2.1** **DoC**

Product Code	Part No.	Plate Capacity kgs	Cylindrical Capacity kgs	Tear-Off Force kgs	H mm	I mm	L mm	W mm	Weight kgs
PML100	PML-1	100	30	350	70	142	92	64	3
PML300	PML-3	300	100	1,050	96	176	165	88	10
PML600	PML-6	600	200	2,100	120	219	236	118	24

Product Code	Part No.	Plate Capacity	Cylindrical Capacity	Tear-Off Force	H	I	L	W	Weight
		kgs	kgs	kgs	mm	mm	mm	mm	kgs
PML1000	PML-10	1,000	300	3,500	168	266	264	168	50
PML2000	PML-20	2,000	600	7,000	217	462	378	230	125
PML3000	PML-30	3,000	1,000	10,500	265	567	453	290	220
PML5000	PML-50	5,000	1,500	17,500	265	707	647	290	355
PML6000	PML-60	6,000	2,000	19,200	265	707	713	290	398