

Operating Instructions

Grade 80 Weld on Hook with latch



Note: The Operator must read and fully understand the operating instructions before using this product.

GENERAL INFORMATION

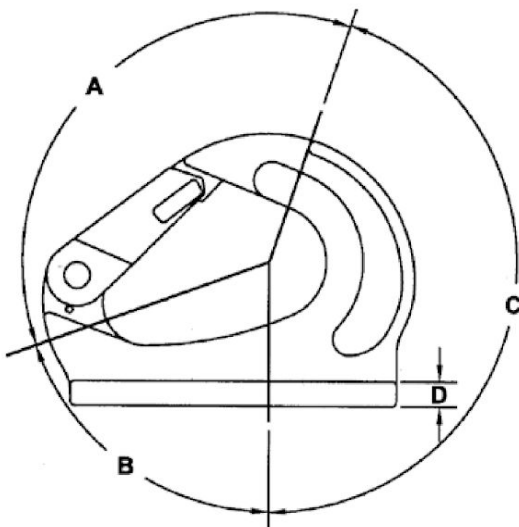
1. Weld-On hooks are to only be welded to a structure, equipment or machinery in an area (load point) approved by the original equipment manufacturer. (Some manufacturers may not approve the modification of their product.)
2. For hydraulic excavator lift capacity rating, refer to SAE standard J1097.
3. A visual periodic inspection for cracks, nicks, wear, gouges and deformation as part of a comprehensive documented inspection program, should be conducted by trained personnel.
4. A visual periodic inspection of the weld should be performed. Check the weld visually, or use a suitable NDE method if required.
5. As excavator buckets are not specifically designed for constant use with excavator hooks, we recommend regular and very thorough inspection of the excavator bucket welding area to ensure no distortion has been made to the work area.
6. Never use a hook whose throat opening has been increased, or whose tip has been bent more than 10 degrees out of plane from the hook body, or is in any other way distorted or bent.

Note: A latch will not work properly on a hook with a bent or worn tip.

- Never use a hook that is worn beyond the limits shown in Figure 1.
- Remove from service any hook with a crack, nick, or gouge. Hooks with a nick or gouge shall be repaired by grinding lengthwise, following the contour of the hook, provided that the reduced dimension is within the limits shown in Figure 1. Contact George Taylor to evaluate any crack.
- Never repair, alter, rework, or reshape a hook by welding, heating, burning, or bending.
- Always make sure the hook supports the load. The load is to be applied within the range shown in Figure 2. The latch must never support the load (See Figure 3).
- Never side load (See Figure 4), or tip load (See Figure 5) a hook.
- The use of a latch may be mandatory by regulations or safety codes; e.g., OSHA, MSHA, ANSI/ASME B30, Insurance, etc.
- Ensure latch functions properly. Use only genuine GT replacement parts.
- Never attach more than one sling directly in hook. For collecting two or more slings to the hook, use proper hardware.
- See ANSI/ASME B30.10 "Hooks" for additional information.

⚠ WARNING!

- Loads may disengage from hook if proper procedures are not followed.
- A falling load may cause serious injury or death.
- Hook must always support the load. The load must never be supported by the latch.
- Never apply more force than the hook's assigned Working Load Limit (WLL) rating.
- Do not use weld on hook for personnel hoisting. See OSHA Rule 1926.1431(g)(1)(i)(A) and 1926.1501(g)(4)(iv)(B).
- Read and understand these instructions before welding on, or using hook.



ZONE A: REPAIR NOT REQUIRED
(LATCH EXCLUDED)

ZONE B: 10% OF ORIGINAL DIMENSION

ZONE C: 5% OF ORIGINAL DIMENSION

ZONE D: ONLY AREA ALLOWED TO BE
WELDED

Figure 1

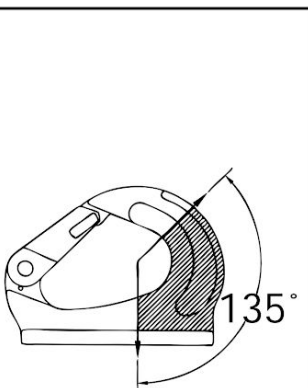
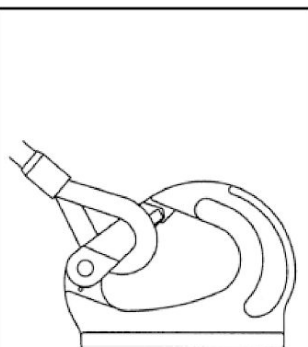
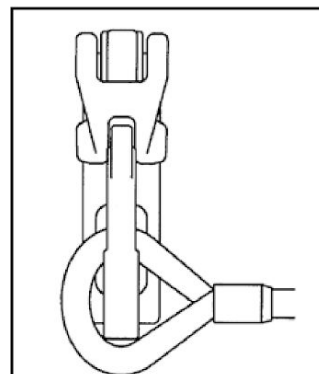


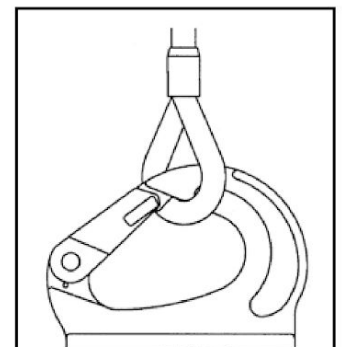
Figure 2



WRONG
Figure 3



WRONG
Figure 4



WRONG
Figure 5

CAUTION

- The strength of the weld-on hook depends upon the method of attachment. Extreme care must be used in choice of support as well as during the attachment process.
- The support structure that the hook is attached to must be of suitable size, composition and quality to support the anticipated loads of all operating positions. The required support structure material thickness for a given application is dependent on variables such as unsupported length and material strength, and should be determined by a qualified individual. Minimum plate thickness required to support the welds are shown in Table 1.

TABLE 1		
Working Load Limit (t)	Minimum Plate Thickness (in.)	Minimum Fillet Size All Around (in.)
1	3/16	3/16
2	1/4	1/4
3	5/16	5/16
4	5/16	5/16
5	3/8	3/8
8	1/2	1/2
10	1/2	1/2

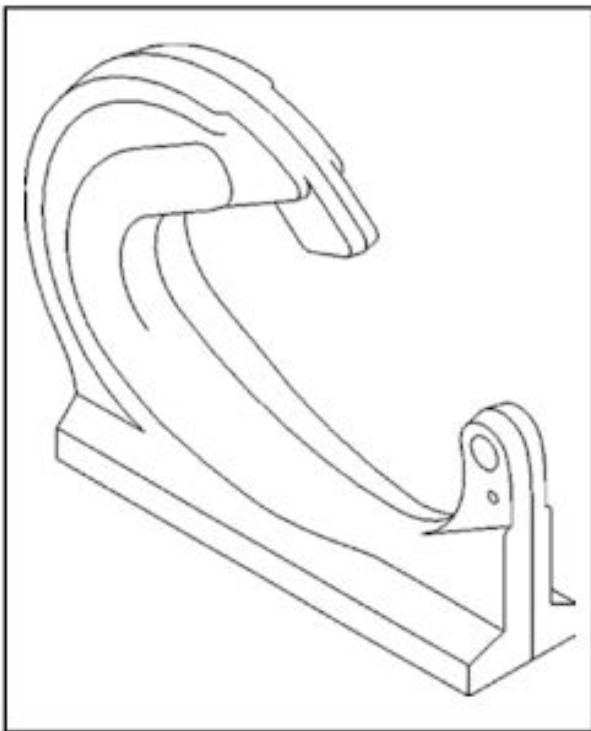
- Position the hook to ensure that the load is applied in the plane of the hook, and the load is supported by the hook in all operating positions. Ensure that the hook does not interfere with the operation of other mechanisms or cause pinch points.
- Ensure that the maximum gap between hook base and support does not exceed 1/8". Modify the support structure if required to reduce gap.
- When welding hook to carbon or low alloy steels (less than .40% carbon), the following welding recommendations are to be followed. For welding hook to other grades of steel, a qualified weld procedure must be developed. GT hook material is AISI 8622 modified.
- Welding is to be performed by a qualified welder using qualified procedure in accordance with American Welding Society (AWS), and/or American Society of Mechanical Engineers (ASME) requirements.
- Welding electrode to be in accordance with AWS A5.4 E-312-16. Observe the electrode manufacturer's recommendations.
- Before welding, the surface to be welded on, including the hook and support structure, must be clean and free from rust, grease and paint.
- Fillet weld leg size should be of minimum shown in Table 1. Weld profiles to be in accordance with AWS. Weld size is measured by length of leg.

- Welding should be carried out completely around base in a minimum of two passes to ensure adequate root penetration at the base of the hook.
- Do not rapidly cool the weld.
- After welding, a visual inspection of the weld should be performed prior to painting.
- No Cracks, pitting, inclusions, notches or undercuts are allowed. If doubt exists, use a suitable NDE method, such as Magnetic Particle or Liquid Penetrate to verify.
- If repair is required on weld, grind out defect and re-weld using original qualified procedure.
- After welding, the assembly should be proof tested before putting into service.
- Welding preheat range outlined below.
 - Minimum preheat temperature: 212F (100C).
 - Maximum temperature: 716F (380C).

Important – Instructions for Assembling S-4313 Latch on BH-313 Weld-On Hook

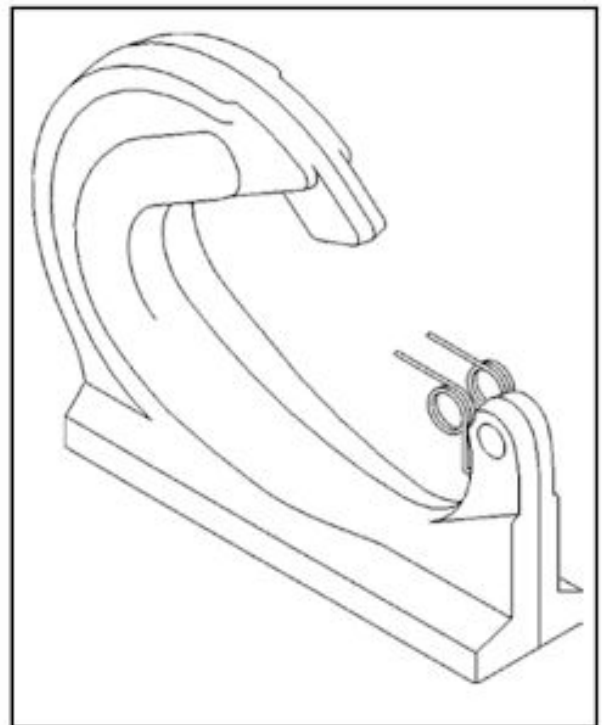
Step 1

1. Place hook flat on work surface as shown.



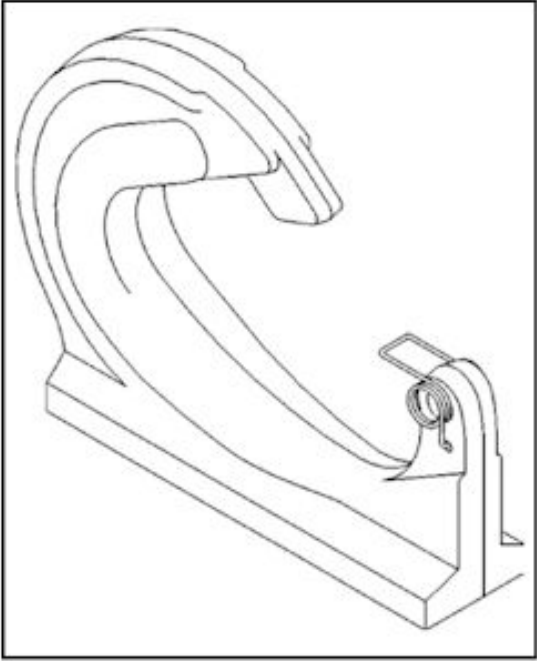
Step 2 - Hook Sizes 1 to 3 tonnes

2. Position coils of spring over hook cam, with legs of spring pointing towards hook tip and coil of spring positioned down as shown below.



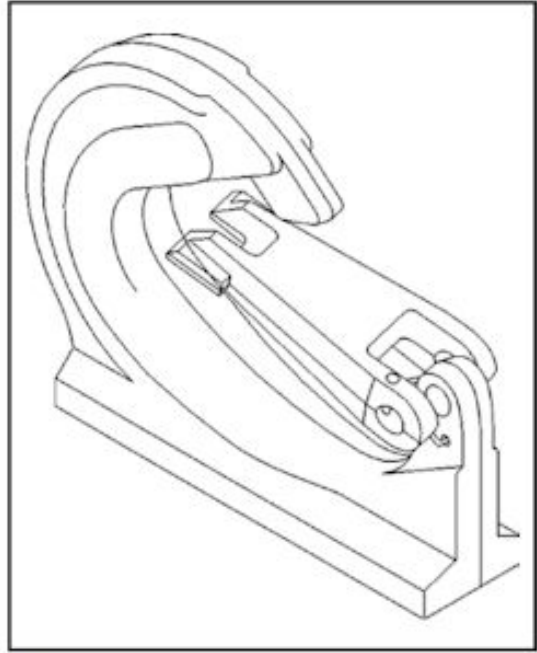
Step 2A - Hook Sizes 4 to 10 tonnes

2A. Spread legs of spring and place into drilled hole. Position coils of spring over hook cam, with end of spring pointing toward hook tip as shown.



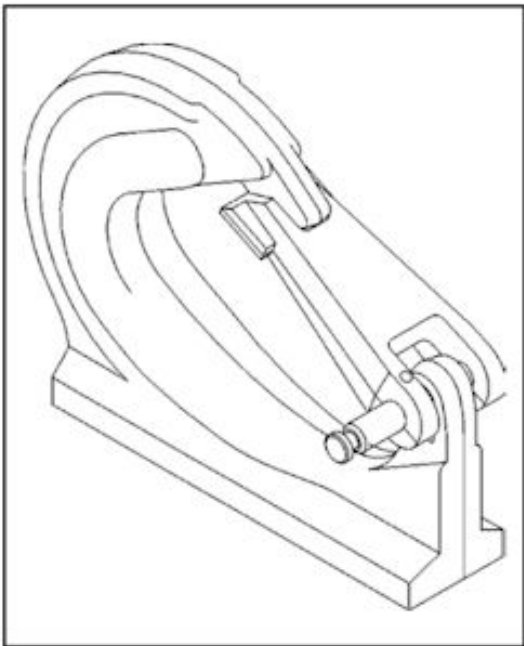
Step 3

3. Position latch over spring, aligning latch ears and spring coil. On pin hole side of latch, insert non grooved end of latch pin through hole in latch and through spring until contact is made with hook body (a small punch may be required for proper alignment).



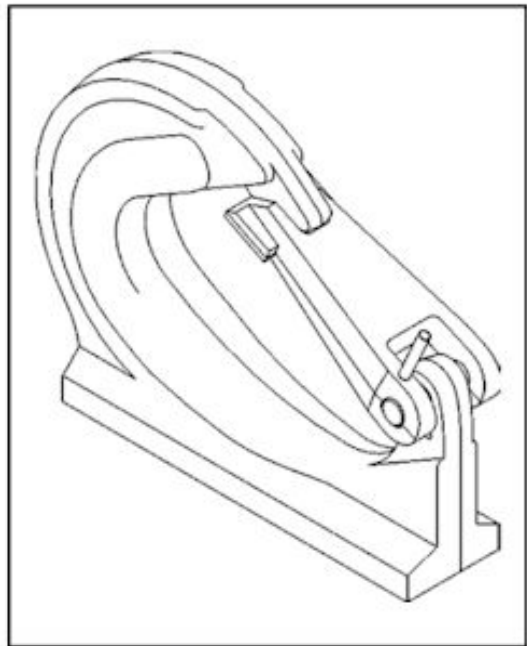
Step 4

4. Align holes in latch with holes in cam of hook. Continue pushing the pin through hook, spring and latch.

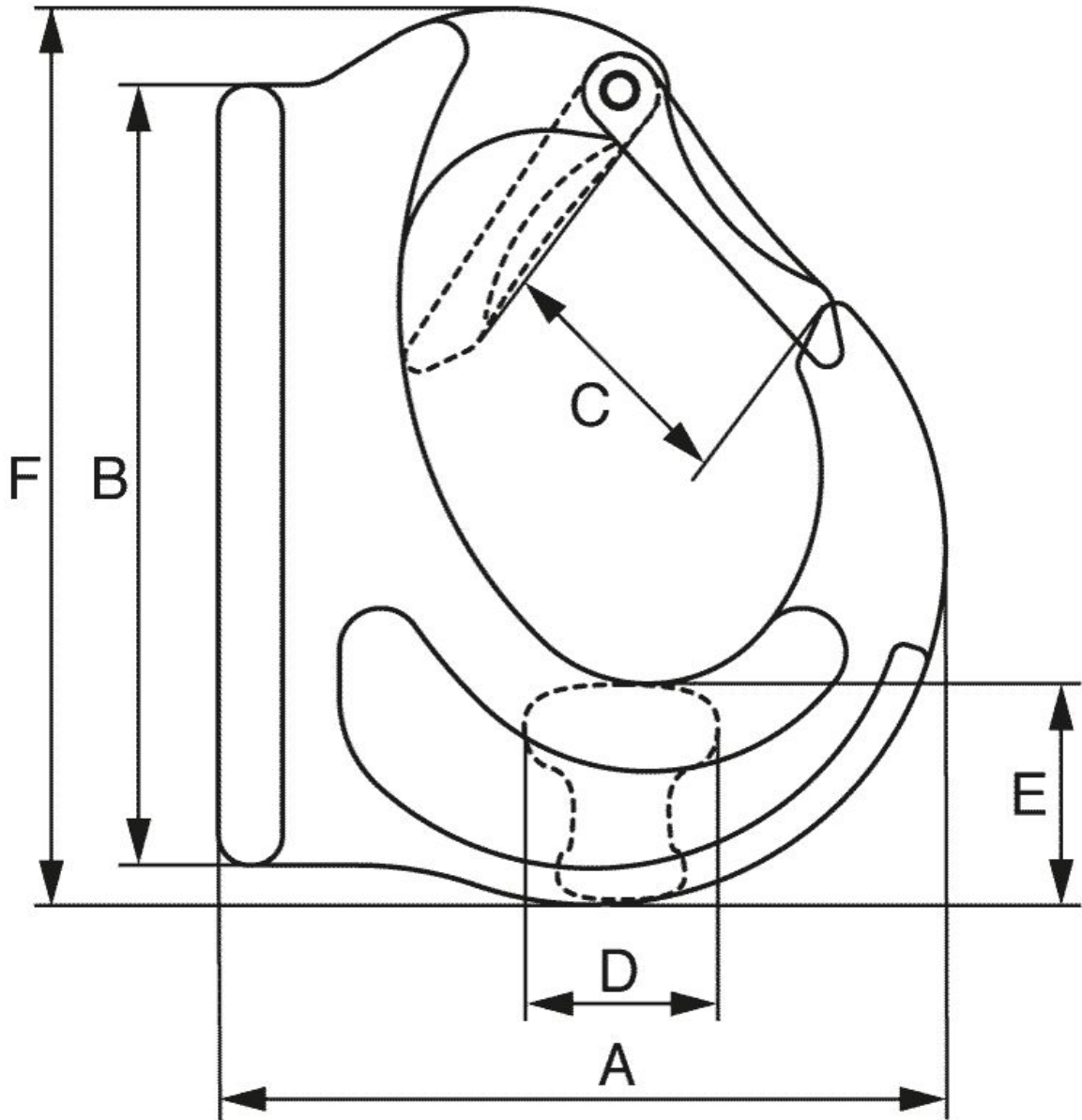


Step 5

5. Insert roll-pin into latch, driving it in with a hammer, while ensuring that latch pin groove is in alignment.



SPECIFICATIONS & DIMENSIONS



Product Code	Model No.	B mm	C mm	E mm	L mm	W.L.L. t	B.L. t	Weight kgs / each
G80WH1	SLR0191.0T	78	90	23.5	98	1	5	0.485
G80WH2	SLR0192.0T	92	81	28	114	2	10	0.83
G80WH3	SLR0193.0T	106	116	30	129	3	15	1.2
G80WH5	SLR0195.0T	133	159	39	171	5	25	2.46
G80WH8	SLR0198.0T	136.5	159	36	177	8	40	3.26
G80WH10	SLR01910.0T	169.5	194	48	223	10	50	5.17

George Taylor & Co Lifting Gear (Midlands) Limited,
Unit 4, Fryers Road, Walsall, West Midlands WS2 7LZ

T +44 (0)1922 490220

F +44 (0)1922 490229

E office@gtlifting.co.uk

www.gtlifting.co.uk