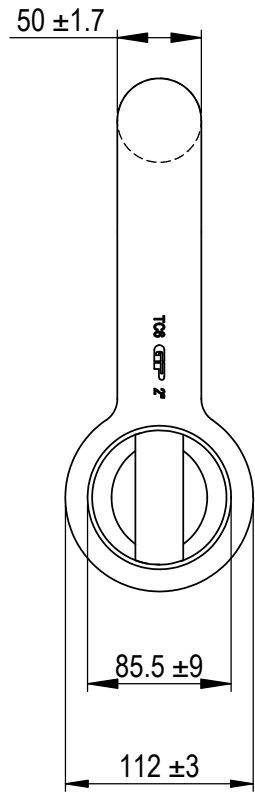
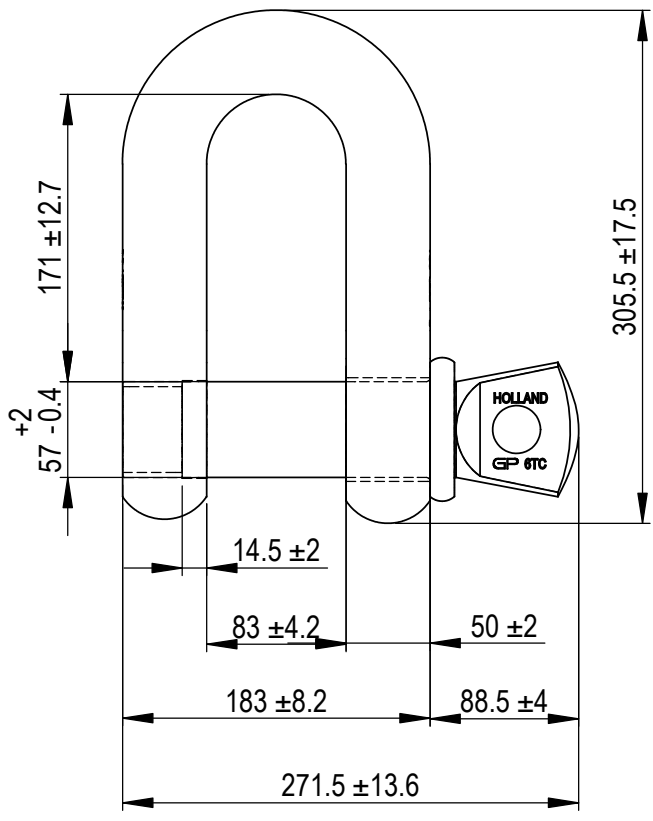
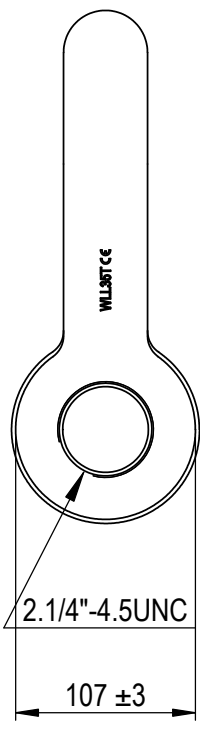


Green Pin® Dee Shackle SC  
 Group : G-4151  
 Part : GPGDBB50  
 WLL : 35t



We reserve the right to make amendments on specifications in this drawing without prior notification.

Rev.	Description	Date	Drawn
B	Drawing updated	2022-1-1	DL
A	Chamber in eye	13-10-11	H.T.
0	First Issue	31-07-09	H.T.


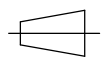


**Green Pin®**  
 P.O. Box 57, 3360 AB Sliedrecht (The Netherlands)  
 Industrieweg 6, 3361 HJ Sliedrecht  
 Tel. +31(0)184-413300 www.greenpin.com

Copyright by Van Beest B.V. moreover this document is the property of Van Beest B.V. This document or any part of it may neither be made known, copied or multiplied, nor used for any purpose other than that for which it is specifically furnished, without the prior written consent of Van Beest B.V.

Title **Green Pin® Dee Shackle SC**  
 Standard dee shackle with screw collar pin

Remark  
 G-4151  
 GPGDBB50

Format	A4	 
Scale	1:4.5	
Drawing number		Rev.
5090		B