



Screw clamp for vertical and horizontal pulling model TSH

Capacity 750 - 5000 kg

The screw clamp offers many possible applications. It is particularly useful for lifting, turning and pulling steel plates, girders and steel constructions.

The spindle is closed only finger tight.

Once the screw clamp is tightened and lifting begins, the pivoting pad clamping system produces a wedging action against the material, holding it securely.

Technical data model TSH

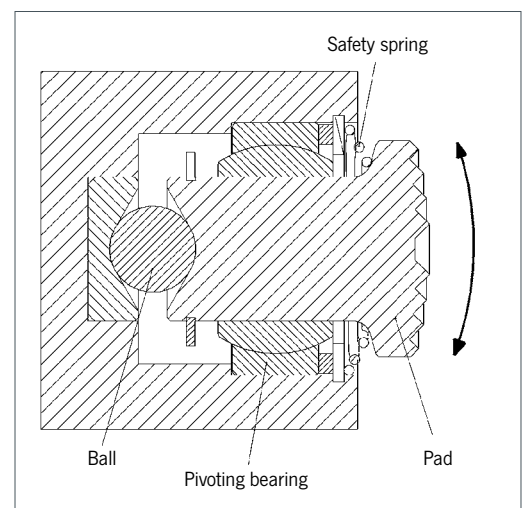
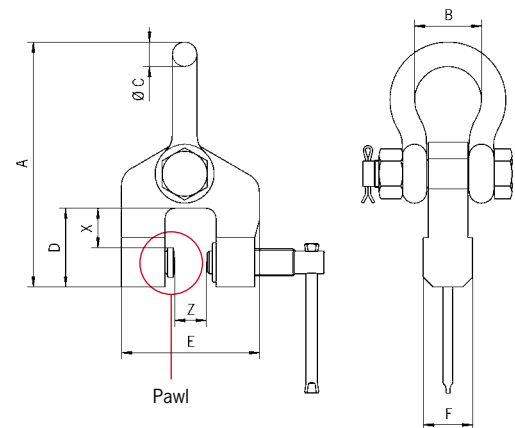
Model	EAN-No. 4025092*	Capacity kg	Jaw capacity Z mm	Weight kg
TSH 0,75	*559027	750	0 - 28	3.1
TSH 1,5	*550123	1500	0 - 32	7.4
TSH 2,0	*120302	2000	90 - 140	14.8
TSH 2,0 S	*426756	2000	50 - 100	14.5
TSH 3,0	*550154	3000	0 - 50	11.4
TSH 5,0	*550215	5000	0 - 80	27.6

Dimensions model TSH

Model	TSH 0,75	TSH 1,5	TSH 2,0	TSH 2,0 S	TSH 3,0	TSH 5,0
A, mm	190	255	318	318	290	470
B, mm	52	65	74	74	74	130
Ø C, mm	19	26	30	30	30	50
D, mm	43	75	90	90	85	135
E, mm	113	130	286	246	170	225
F, mm	35	44	60	60	50	72
X, mm	15	40	38	38	40	50

INFO

The plate surface of the material must not exceed a hardness level of HRC 50.



Functional drawing pivoting pad