

EN 360:2002  
EN 1496:2006 class B

Reference number:

**CRW 300 xx**  
(xx - working length in meters)

Read and understand the manual before use the equipment

### GENERAL DESCRIPTION

Connecting handle -for transporting and anchoring to structure

Casing made of aluminium alloy.

Cable retractor with energy dissipating brake.

Informative and identity labels

Lifting and lowering hand operated winch with automatic brake.

Working cable made of 4.7mm galvanized steel wire rope.

Snap hook with swivel function (Range of alternative hooks with fall indicator as an option)

The retractable-type fall arrester device including rescue lifting and lowering device is a component of the personal protective equipment against falls from a height. The device is designed for protection one person only.

The device performs two functions relating to prevention against falls from a height - fall arresting function (as a retractable fall arrester) and rescue function.

### TECHNICAL DATA

- maximum rated load - 140kg;
- minimum rated load - 50 kg;
- working length - 25 m;
- automatic brake which prevent self-contained descent of a person;
- hand operated winch;

### TIME OF USAGE

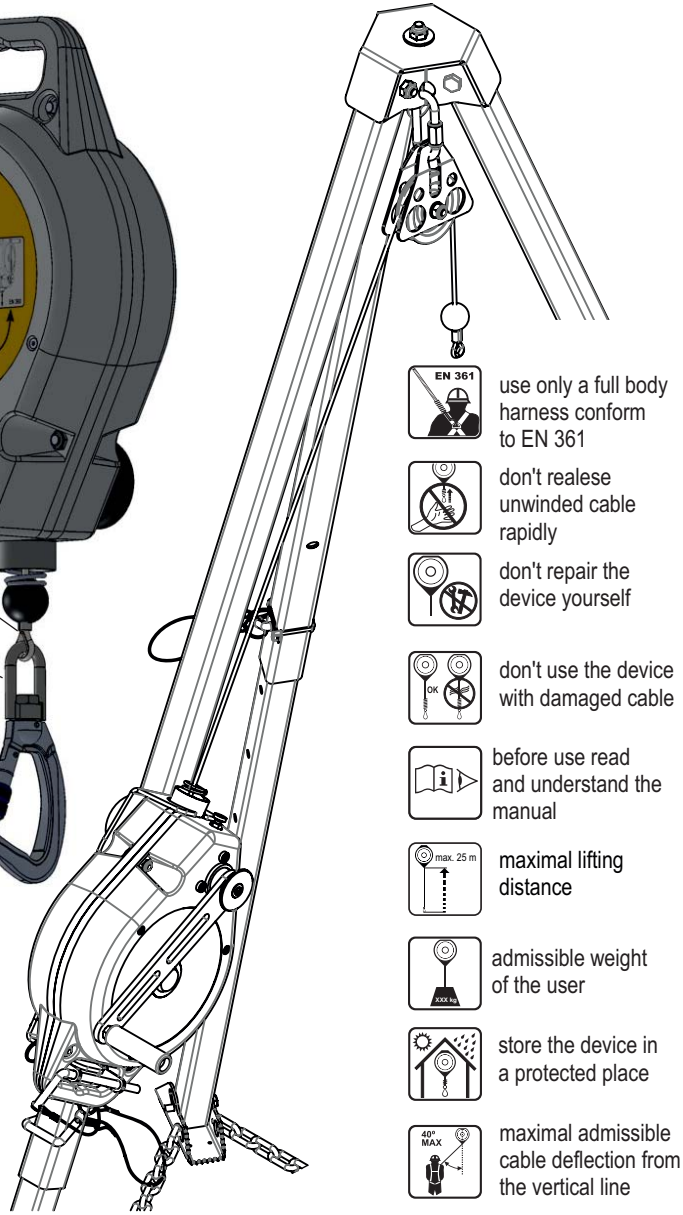
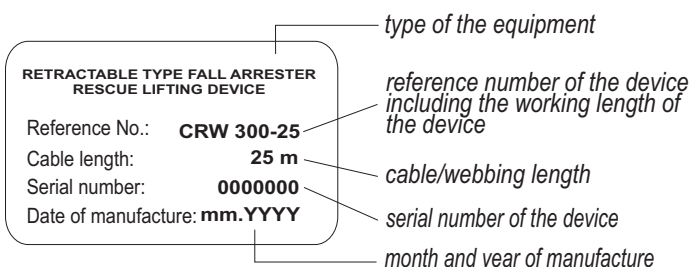
There is no limit of use of the CRW300 device on condition punctual carried out annual inspections.

### RELATIVE STANDARDS AND CERTIFICATION

- 1) EN360:2002 - Equipment usage as a retractable type fall arrester. Covered by the EC type certificate.
- 2) EN1496:2006 type B - Equipment usage as a rescue lifting device. Not covered by EC type certificate.

The Notified Body involved with EC type examination and in the production control phase: APAVE SUDEUROPE SAS, CS 60 193, 13322 Marseille, France.

### MARKING OF THE DEVICE



- EN 361 use only a full body harness conform to EN 361
- don't release unwinded cable rapidly
- don't repair the device yourself
- don't use the device with damaged cable
- before use read and understand the manual
- max. 25 m maximal lifting distance
- admissible weight of the user
- store the device in a protected place
- maximal admissible cable deflection from the vertical line
- Inspect the device before each use
- range of operating temperatures
- check locking before each use

CE 0082 — CE mark and notified body number inspecting the equipment according to the Directive 89/686/EEC

PROTEKT — device manufacturer or distributor



Month and year of the manufacturer's next inspection. Don't use the device after this date.

Attention: Before the first use mark the date of the next inspection (date of first use +12 months)

EN 360:2002 — relative standard numbers  
EN 1496:2006 class B — and year of parution; class of the device

## CRW300 UTILIZATION RULES FOR PERSONAL PROTECTION ACC. TO EN360

For personal protection the CRW300 may be installed on any structural element or on range of tripods listed in this manual. The device may be used in vertical position (suspended) or installed on tripod's leg [see **UTILIZATION WITH A TRIPOD**].

**Anchor device or anchor point** should always be positioned, and the work carried out in such a way as to minimise both the potential fall and potential fall distance. The structural anchor point should be placed above the user's position, should have stable structure and its shape shall not allow to self-acting disconnection. The minimal strength of the structural anchor point should be not less than 12kN. It is recommended to use certified and marked structural anchor or device, conform to EN795 standard.

Connecting the fall arrester to a structural anchor point should be done by joining the arrester handle to a structure with the aid of the AZ017 connector or sling complying with EN362 or EN795 standards (fig. 2-1).

**A full body harness** conform to EN361 should be applied for user's body keeping during employment the EN360 function. The CRW300 lanyard should be connected only to

full body harness fastening points (buckles, loops) marked with the capital letter "A" (fig. 2-3). A connection between device and the harness attachment point should be done with the aid of CRW300 lanyard's connector conform to EN 362 standard.

**A free space beneath the user** must be verified at the workplace before each occasion of use the fall arrest system, so that, in the case of a fall, there will be no collision with the ground or other obstacle in the fall path.

When the device is installed in the vertical line above the user the minimal clearance distance below working level shall be 1,5 m.

When the cable of the retractable fall arrester is deflected from vertical line a pendulum effect occurs during fall arresting. In order to minimise the pendulum effect the cable deviation angle from vertical shall never exceed 40°. For this purpose the user is permitted to move laterally through distance "l" not greater than 1/2 "v". The clearance distance below working level must be greater than 1,5 m+ lateral distance "l" (fig. 2-2).

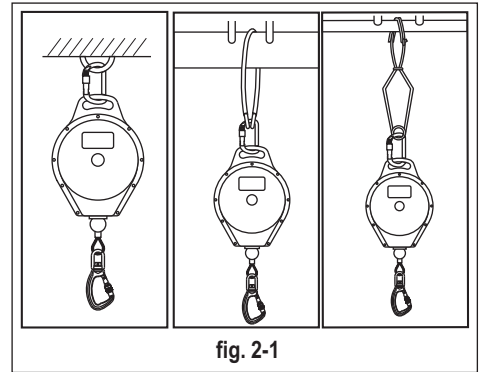


fig. 2-1

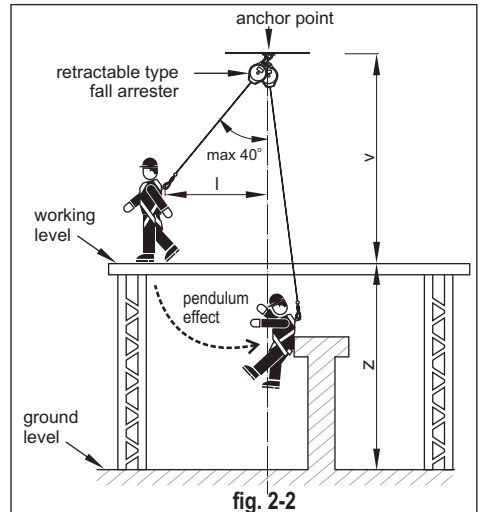


fig. 2-2

## CRW300 UTILIZATION RULES FOR RESCUING ACC. TO EN1496

For rescuing purposes, the CRW300 may be installed on any structural element (suspended in vertical orientation) or on range of tripods listed in this manual.

The CRW300 may be attached to a stable structural element of minimal strength not less 12kN. The device connection to the structural anchor should be done with the aid of a connector (ref. AZ017) or sling complying with EN362 or EN795 standards (fig. 2-1). The CRW300 may be attached to a tripod's head (suspended in vertical orientation) or installed on tripod's leg. [see **UTILIZATION WITH A TRIPOD**]

**A recommended body holding device** for a rescuee are: (1) an EN1497 rescue harness or (2) an EN361 full body harness. The CRW300 lanyard should be connected to the

harness fastening points (buckles, loops) placed above the user's center of gravity. The connection should be done with the aid of the CRW300 lanyard's connector conform to the EN362 standard.

During the rescue process, there should be direct or indirect visual contact or other means of communication with the rescuee at all times.

The lifting / lowering function is for rescue purposes only and not for loads.

The lifting / lowering function of the device may be applied both for vertical orientation and on the tripod installation.

The device lowering function is only intended to lower a person over a maximum distance of 2m.

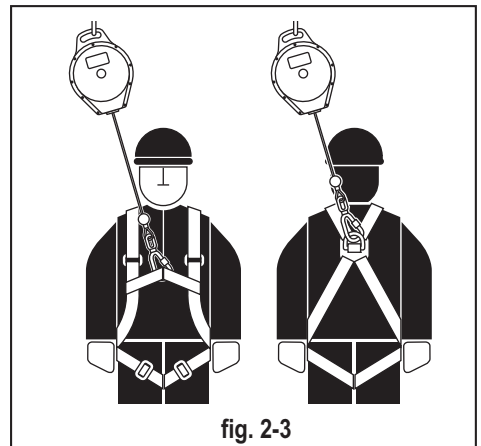


fig. 2-3

## SWITCHING BETWEEN EN360 AND EN1496 FUNCTION

Only one of the EN360 or EN1496 functions of the device may be applied at the same time. To change the function, the operation described on the fig. 3-1 and 3-2 should be done. In particular, to change from EN360 to EN1496 function, pull out the locking pin "a" and next pull out the crank axle "b" (fig. 3-1). Then, in the consequence of cranking, the device cable is moved up or down, under control.

The switching from EN360 to EN1496 function may be done especially when the CRW300 have arrested a fall and there is necessity to rescue of the user. In order to change the EN1496 function to EN360 pull out the locking pin "a" and next push in the crank axle "b" inwards (fig. 3-2). Then the device will act as a retractable fall arrester.

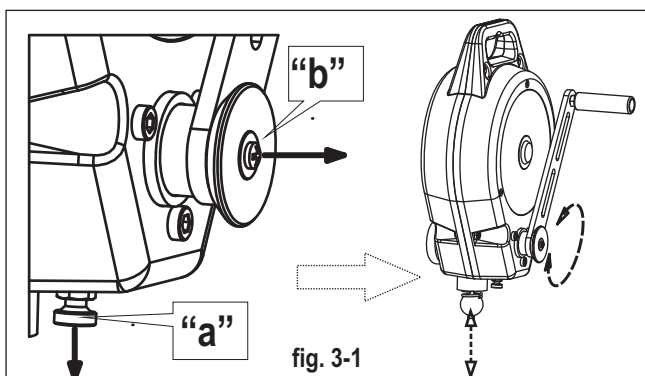


fig. 3-1

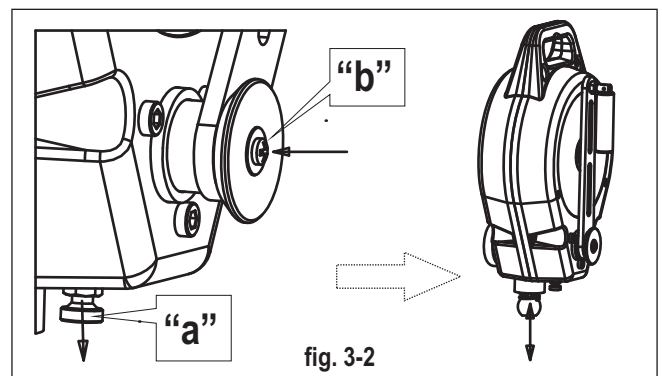
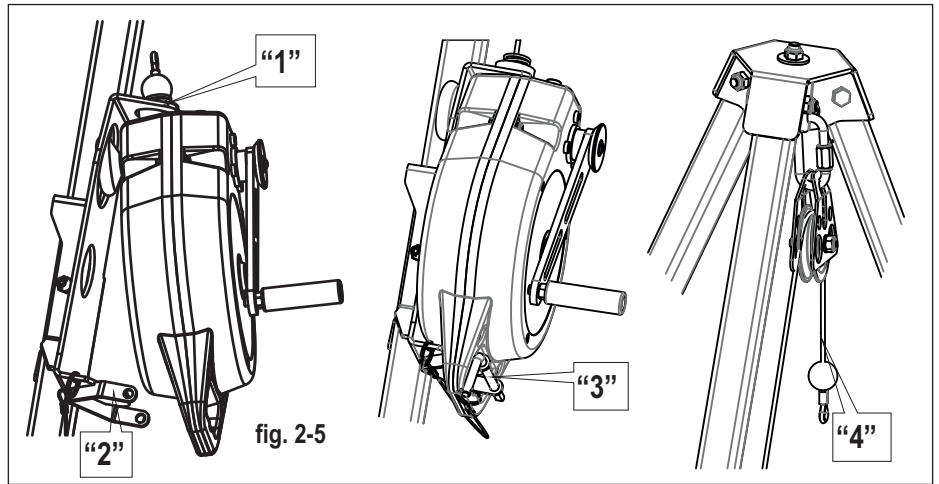
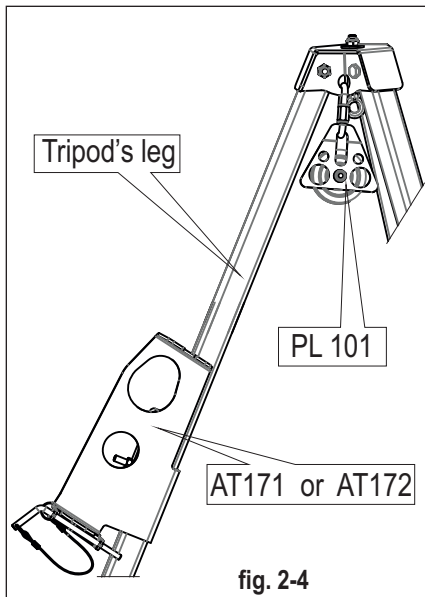


fig. 3-2

## UTILIZATION WITH A TRIPOD



		TM6	TM7	TM9	TM9-L	TM9-W	TM10	TM12	TM12-2	TM13
CRW300 +	AZ017	●	●	●	●		●	●	●	●
	AT171			●	●	●				
	AT172	●						●	●	●

The CRW 300 device may be used together with range of PROTEKT's tripods (see table). The CRW300 may be installed on the tripod's leg (with the aid of adapters: AT171 / AT172) or suspended to tripod's head (with the aid of AZ017 connector). For utilization with some tripods (see table) the pulley PL101 will be necessary (fig.2-4).

The way of the CRW300 mounting into AT171 / AT172 adapter is

described on the fig.2-5. Insert the CRW300 cable sleeve into adapter's opening (step "1") and then slide onto the adapter's fork (step "2"). Secure the device with the aid of the adapter's pin (step "3"). After that, unwind the CRW300 cable from the device and belay on the pulley PL 101 (step "4") or tripod's pulley.

## GENERAL RULES OF UTILIZATION FOR PERSONAL PROTECTION ACC. EN360 AND FOR RESCUE ACC. EN1496

- The device must not be used by a person with medical condition that could affect the safety of the equipment user in normal and emergency use.
- The device and associated equipment shall only be used by a person trained and competent in its safe use.
- A rescue plan shall be in place to deal with any emergencies that could arise during the work.
- It is forbidden to make any alterations or additions to the equipment without the manufacturer's prior written consent; any repair shall only be carried out by equipment manufacturer or his certified representative.
- The equipment shall not be used outside its limitations, or for any purpose other than that for which it is intended - presented in this manual and relative standards.
- It is forbidden to use combinations of items of equipment in which the safe function of any one item is affected by or interferes with the safe function of another.
- Before each use of the device, a pre-use check should be carried out to ensure that it is in a serviceable condition and operates correctly. In particular, inspect physically all visually accessible elements of the equipment in respect of any damages, excessive wear, corrosion, abrasion, cutting or incorrect acting. Especially in the device - cable retracting and locking function and legibility of the product marking should be checked.
- The device must be withdrawn from use immediately when: (1) any doubt arise about its condition for safe use or (2) was engaged for arresting a fall. The device mustn't be used until a person competent for device inspection confirm in writing its usable condition after carried out the detailed inspection.
- The following hazards and environmental factors may affect the

performance of the device: -trailing or looping of device lanyard over sharp edges,- pendulum falls,- temperature below (-30)°C and above (+50°C),- corrosive chemical agents,- electrical energy; -dust laden and greasy environment. A corresponding safety precautions should be observed during the device utilization in order to avoid improper operation.

- The CRW300 device should be transported loosely packed, in such a way that is protected against: mechanical damages, contact with aggressive chemicals and wet.
- It is essential for the safety of the user that if the product is re-sold outside the original country of destination the reseller shall provide instructions for use, for maintenance, for periodic examination and for repair in language of the country in which the product is to be used.
- Regular periodical inspections are essential in terms of equipment condition and safety of users. Only fully operational equipment is able to provide safety. The device must be withdrawn from use and undergo a complete periodical inspection and maintenance, at least once a year (after 12 months of use). The inspection must be carried out by the equipment manufacturer or an authorised representative of the manufacturer. Such an inspection should check all equipment elements and functions according valid producer Service Manual. The date of the subsequent inspection should be specified as a consequence of the inspection.
- The factory where equipment is stored/ used is responsible for keeping the Operation Sheet for a particular device. The Sheet should include at least: the device name, serial number, date of purchase and date of first operation, user name, information concerning repairs and inspections and withdrawal from use. The Sheet should be completed by the person responsible for safety equipment in a given place of work. Equipment without a properly completed Operation Sheet cannot be used.

## CLEANING

External surface of the CRW300 casing and the wire rope lanyard can be cleaned with a wet cloth. Do not use any acid or basic solvents. Cable devices leave to dry in the unwound state. The cable lanyard can be

## STORAGE

The CRW300 device should be stored in a dry, ventilated, room temperature and free of aggressive chemicals places. Before the first usage the device must be stored in manufacturer package.

# IDENTITY CARD of a personal protective equipment

It is the responsibility of the user organisation to provide the identity card and to fill in the details required.

The identity card should be filled in only by a competent person responsible for protective equipment.

The identity card should be filled in before the first use of the equipment.

Any information about the equipment like: periodic inspections, repairs, reasons of equipment's withdrawn from use shall be noted.

The identity card should be stored during a whole period of equipment utilization. Do not use the equipment without the identity card.

MODEL AND TYPE OF EQUIPMENT	
REF. NUMBER	
SERIAL NUMBER	
DATE OF MANUFACTURE	
DATE OF PURCHASE	
DATE OF FIRST USE	
USER NAME	

Producer: PROTEKT, 93-403 LODZ, ul. Starorudzka 9, POLAND,  
tel: (48 42) 680 20 83, fax: (48 42) 680 20 93,  
www.protekt.com.pl

# PROTEKT

## PERIODIC EXAMINATION AND REPAIR HISTORY

	DATE	REASON FOR SERVICING / REPAIR	CONDITION OF DEVICE AFTER SERVICING	NAME AND SIGNATURE OF COMPETENT PERSON	DATE OF NEXT EXAMINATION
1					
2					
3					
4					
5					
6					
7					
8					
9					
10					
11					