



Yale CPV

Electric chain hoist
with suspension hook or with
integrated trolley

Capacity 125 - 5000 kg

The electric chain hoist CPV combines modern design and technical innovation. A robust construction makes the series a versatile tool for professional applications.

The integrated limit switch for the highest and lowest hook position considerably extends the working life span of the slip clutch, motor and gearbox.

Features

- Increased operating safety through 42V control voltage (low voltage control) and the main contactor.
- The integrated limit switch for the highest and lowest hook position considerably extends the service life of the slip clutch, motor and gearbox.
- Overload protection (slip clutch) in all CPV hoists is outside force flow to meet higher safety requirements.
- Electromagnetic spring pressure brake holds the load safely even in the event of power failure.
- Different suspension types available such as top hook, lug or an integrated trolley. A retro-fit to another type of suspension is possible.
- Any chain length (lifting height) as per customer order.
- Oil bath gearbox (or semifluid grease with CPV/F 2-8 and 5-4 as well as CPV 2-4 and 5-2) with helical gearing for particularly smooth service and enhanced lifetime.
- All-steel chain guide.
- The chain guide of the smallest hoist CPV/F 2-8 and 5-4 as well as CPV 2-4 and 5-2 is a thermoplastic (POM) chain guide that is integral with the housing.
- CPV series are protected up to IP 55.
- 2 year warranty (excluding wear parts) and a lifetime lubricated gearbox.

COMPLETE SERIES CPV
**CAPACITIES
125-5000 KG**
WITH
**SUSPENSION HOOK
AS STANDARD,
SUSPENSION LUG AS AN OPTION,
PUSH, GEARED OR
ELECTRIC TROLLEY**

INFO

Festooned cable systems please see pages 146-147.

Yale hoists and trolleys are not designed for passenger elevation applications and must not be used for this purpose.

Options

- Other operating and control voltages.
- Flexible chain containers
- Power supply cables, CEE plugs with phase changing switch.
- Radio remote controls, also acc. to EN 13849-1 PL “d” and “e”.
- Pluggable control pendants.
- Wall mounted controls.
- Rotary limit switch as a back-up to standard limit switches.
- Frequency controllers, stepless and ramp controls.
- Suspensions 90° turned.
- Thermal sensors.



Optional:
Radio remote control



Optional:
with suspension lug

Yale CPV

Further standards

CPV

“Quick Delivery” programme

Capacity 250 - 1000 kg

Features

- Top hook suspension
- Lifting height 6 m
- With chain container

SPECIAL MODEL CPV
“QUICK DELIVERY”
**THE HOIST CAN BE SHIPPED
 EX CMCO WUPPERTAL
 WITHIN 24 HOURS**

Technical data CPVF - 24 h “Quick Delivery” programme

| Model | Art.-No. | Capacity kg | Number of chain falls | Lifting speed in m/min | |
|-----------|-----------|-------------|-----------------------|------------------------|-----------|
| | | | | main lift | fine lift |
| CPVF 2-8 | 192052434 | 250 | 1 | 8 | 2 |
| CPVF 5-8 | 192052435 | 500 | 1 | 8 | 2 |
| CPVF 10-8 | 192052436 | 1000 | 1 | 8 | 2 |

CPV... DC

with direct control

Capacity 125 - 500 kg

Features

- Suspension hook as standard
- With overload protection, without limit switches
- With chain container

Technical data CPV... DC - 400V, 3 phase, 50Hz

| Model | Art.-No. | Capacity kg | Number of chain falls | Lifting speed m/min |
|------------|-----------|-------------|-----------------------|---------------------|
| CPV 1-8 DC | 192059040 | 125 | 1 | 8 |
| CPV 2-8 DC | 192059042 | 250 | 1 | 8 |
| CPV 5-4 DC | 192059043 | 500 | 2 | 4 |

Hoisting Equipment Electric chain hoists

Technical data CPV/CPVF - 400V, 3 phase, 50 Hz

| Capacity kg | Model | Number of chain falls | Chain dimensions d x p mm | Classification FEM/ISO | Lifting speed | | Hoist motor kW | Motor rating ED % | Weight at standard lift (3 m) ¹ | | |
|----------------|-----------|--------------------------------|------------------------------------|-------------------------------|--------------------|--------------------|--------------------------|-----------------------------|--|------------------------------------|--|
| | | | | | main lift m/min | fine lift m/min | | | suspension lug kg | push trolley ² kg | electric trolley ³ kg |
| 125 | CPV 2-8 | 1 | 4 x 12.2 | 3 m/M6 | 8 | – | 0.37 | 75 | 17 | 26 | 31 |
| 125 | CPVF 2-8 | 1 | 4 x 12.2 | 3 m/M6 | 8 | 2 | 0.37/0.09 | 50/25 | 18 | 27 | 32 |
| 250 | CPV 2-8 | 1 | 4 x 12.2 | 1 Am/M4 | 8 | – | 0.37 | 50 | 17 | 26 | 31 |
| 250 | CPVF 2-8 | 1 | 4 x 12.2 | 1 Am/M4 | 8 | 2 | 0.37/0.09 | 33/17 | 18 | 27 | 32 |
| 250 | CPVF 2-18 | 1 | 5 x 15.1 | 1 Am/M4 | 18 | 4.5 | 0.75/0.18 | 33/17 | 27 | 42 | 50 |
| 320 | CPV 5-8 | 1 | 5 x 15.1 | 3 m/M6 | 8 | – | 0.75 | 67 | 26 | 41 | 49 |
| 320 | CPVF 5-8 | 1 | 5 x 15.1 | 3 m/M6 | 8 | 2 | 0.75/0.18 | 45/22 | 27 | 42 | 50 |
| 500 | CPV 5-4 | 2 | 4 x 12.2 | 1 Am/M4 | 4 | – | 0.37 | 50 | 20 | 29 | 34 |
| 500 | CPVF 5-4 | 2 | 4 x 12.2 | 1 Am/M4 | 4 | 1 | 0.37/0.09 | 33/17 | 21 | 30 | 35 |
| 500 | CPV 5-8 | 1 | 5 x 15.1 | 1 Am/M4 | 8 | – | 0.75 | 50 | 26 | 41 | 49 |
| 500 | CPVF 5-8 | 1 | 5 x 15.1 | 1 Am/M4 | 8 | 2 | 0.75/0.18 | 33/17 | 27 | 42 | 50 |
| 500 | CPVF 5-18 | 1 | 7.1 x 20.5 | 1 Am/M4 | 18 | 4.5 | 1.5/0.37 | 33/17 | 59 | 78 | 85 |
| 630 | CPV 10-8 | 1 | 7.1 x 20.5 | 3 m/M6 | 8 | – | 1.5 | 67 | 58 | 77 | 84 |
| 630 | CPVF 10-8 | 1 | 7.1 x 20.5 | 3 m/M6 | 8 | 2 | 1.5/0.37 | 45/22 | 59 | 78 | 85 |
| 1000 | CPV 10-4 | 2 | 5 x 15.1 | 1 Am/M4 | 4 | – | 0.75 | 50 | 28 | 43 | 51 |
| 1000 | CPVF 10-4 | 2 | 5 x 15.1 | 1 Am/M4 | 4 | 1 | 0.75/0.18 | 33/17 | 29 | 44 | 52 |
| 1000 | CPV 10-8 | 1 | 7.1 x 20.5 | 1 Am/M4 | 8 | – | 1.5 | 50 | 58 | 77 | 84 |
| 1000 | CPVF 10-8 | 1 | 7.1 x 20.5 | 1 Am/M4 | 8 | 2 | 1.5/0.37 | 33/17 | 59 | 78 | 85 |
| 1500 | CPV 20-4 | 2 | 7.1 x 20.5 | 2 m/M5 | 4 | – | 1.5 | 62 | 63 | 82 | 89 |
| 1500 | CPVF 20-4 | 2 | 7.1 x 20.5 | 2 m/M5 | 4 | 1 | 1.5/0.37 | 41/21 | 64 | 83 | 90 |
| 2000 | CPV 20-4 | 2 | 7.1 x 20.5 | 1 Am/M4 | 4 | – | 1.5 | 50 | 63 | 82 | 89 |
| 2000 | CPVF 20-4 | 2 | 7.1 x 20.5 | 1 Am/M4 | 4 | 1 | 1.5/0.37 | 33/17 | 64 | 83 | 90 |
| 2000 | CPVF 25-8 | 1 | 11.3 x 31 | 2 m/M5 | 8 | 2 | 3.6/0.9 | 39/20 | 85 | 147 | 161 |
| 2500 | CPVF 25-8 | 1 | 11.3 x 31 | 1 Am/M4 | 8 | 2 | 3.6/0.9 | 33/17 | 85 | 147 | 161 |
| 3200 | CPVF 50-4 | 2 | 11.3 x 31 | 3 m/M6 | 4 | 1 | 3.6/0.9 | 44/22 | 98 | 160 | 174 |
| 5000 | CPVF 50-4 | 2 | 11.3 x 31 | 1 Am/M4 | 4 | 1 | 3.6/0.9 | 33/17 | 98 | 160 | 174 |

CPV - 230V, 1 PH, 50 HZ

| | | | | | | | | |
|------|------------|---|------------|---------|---|---|------|----|
| 125 | CPV 2-4 | 1 | 4 x 12.2 | 3 m/M6 | 4 | – | 0.37 | 35 |
| 250 | CPV 2-4 | 1 | 4 x 12.2 | 1 Bm/M3 | 4 | – | 0.37 | 25 |
| 500 | CPV 5-2 | 2 | 4 x 12.2 | 1 Bm/M3 | 2 | – | 0.37 | 25 |
| 500 | CPV 5-8 | 1 | 5 x 15.1 | 1 Bm/M3 | 8 | – | 1.0 | 25 |
| 1000 | CPV 10-4 | 2 | 5 x 15.1 | 1 Bm/M3 | 4 | – | 1.0 | 25 |
| 1000 | CPV 10-4/1 | 1 | 7.1 x 20.5 | 1 Bm/M3 | 4 | – | 0.75 | 25 |
| 2000 | CPV 20-2 | 2 | 7.1 x 20.5 | 1 Bm/M3 | 2 | – | 0.75 | 25 |

¹Other lifting heights on request. ²For trolleys type A and B: Additional weight for geared trolley (VTG): 2.5 kg

³For electric trolley with 2 speeds (VTEF) +2.0 kg



Depicted
chain container
optionally
available.

Trolleys

| Suitable for | Capacity of the trolley kg | Size | All trolleys | | | Electric trolley | |
|---|-------------------------------------|------|---------------------------------|--|------------------------------|---------------------------------------|-----------------------------|
| | | | Beam flange width b mm | Beam flange thickness t max. mm | Curve radius min. m | travel speed m/min at 50 Hz | motor kW at 50 Hz |
| CPV/CPVF 2-8/5-4, CPV2-4/5-2 | 500 | A | 58 - 180 | 19 | 0.9 | 11 or 18 | 0.09 |
| CPV/CPVF 2-8/5-4, CPV2-4/5-2 | 500 | B | 180 - 300 | 19 | 0.9 | 11 or 18 | 0.09 |
| CPV/CPVF 5-8/10-4, CPVF 2-18 | 1000 | A | 58 - 180 | 19 | 0.9 | 18 or 18/4.5 ¹ | 0.18 or 0.18/0.06 |
| CPV/CPVF 5-8/10-4, CPVF 2-18 | 1000 | B | 180 - 300 | 19 | 0.9 | 18 or 18/4.5 ¹ | 0.18 or 0.18/0.06 |
| CPV/CPVF 10-8/20-4, CPVF 5-18, CPV 10-4/1, 20-2 | 2000 | A | 58 - 180 | 19 | 1.15 | 18 or 18/4.5 ¹ | 0.18 or 0.18/0.06 |
| CPV/CPVF 10-8/20-4, CPVF 5-18, CPV 10-4/1, 20-2 | 2000 | B | 180 - 300 | 19 | 1.15 | 18 or 18/4.5 ¹ | 0.18 or 0.18/0.06 |
| CPVF 25-8/50-4 | 5000 | A | 98 - 180 | 27 | 2.0 | 11 or 11/2.8 | 0.37 or 0.3/0.09 |
| CPVF 25-8/50-4 | 5000 | B | 180 - 300 | 27 | 1.8 | 11 or 11/2.8 | 0.37 or 0.3/0.09 |

¹Alternatively 11 or 11/2.8 m/min

Yale CPV

Options and features for applications

FOR CORROSIVE ENVIRONMENT & FOOD INDUSTRY

- Stainless steel load chains.
- Stainless steel load hooks for single fall hoists.
- Zinc- or copper- bottom blocks for double fall hoists.
- Zinc plated trolleys and/or 2-component topcoat.
- Food industry approved gearbox lubricants and grease (H1).
- Textile rain coats for hoists and trolleys.



FOR SIMULTANEOUS LIFTING

Yale offers solutions for lifting loads with two or more electric chain hoists simultaneously. Depending on the customer's application, the hoist system must meet various and sometimes very demanding requirements.

- Radio or cable controls.
- Movement selection: single or group movement.
- On trolleys or as point hoists.
- Coupled trolleys.

Please contact Columbus McKinnon to find a suitable solution.

FOR STATIONARY LOADS ABOVE PERSONS

Columbus McKinnon offers Yale electric chain hoists designed for holding stationary loads above persons in accordance with the EN 14492-2:2019.

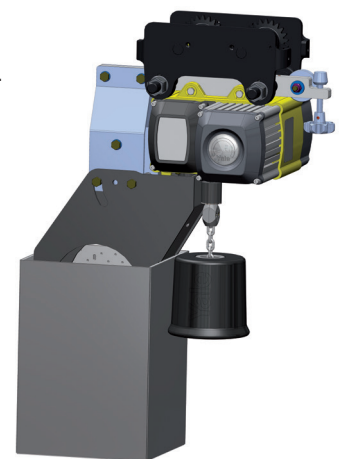
We implement these increased safety requirements in our models CPV ... DB, offering load capacities from 125 kg to 1000 kg.

FOR CRANE BUILDING

- Beam locking device for trolleys.
- Rubber buffers for trolleys.
- Trolley travel end buffer stops.
- 90° suspension on trolley.
- Counter for operating hours.
- Trolley travel end limit switches.
- Signal horn or lamp for crane applications.
- Festoon cable systems or other power supply.
- Suspensions for light crane systems.
- Crane operation pendants.

FOR WIND ENERGY

- Chain lengths up to 200 m.
- Electric chain hoists with high lifting speed.
- Chain containers for longer chains and with special suspensions.
- Increased corrosion-resistance.
- Special suspensions.
- Load hooks with protective cover.

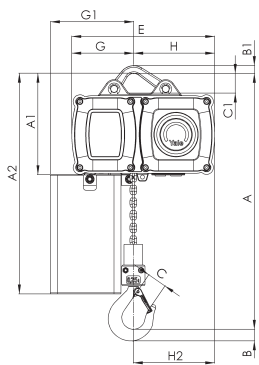


| Model | Art.-No. | Capacity kg | Number of chain falls | Lifting speed m/min |
|-------------|-----------|----------------|--------------------------|------------------------|
| CPV 2-8 DB | 192054103 | 125 | 1 | 8 |
| CPV 5-4 DB | 192054104 | 250 | 2 | 4 |
| CPV 5-8 DB | 192054105 | 250 | 1 | 8 |
| CPV 10-4 DB | 192054107 | 500 | 2 | 4 |
| CPV 10-8 DB | 192054108 | 500 | 1 | 8 |
| CPV 20-4 DB | 192054109 | 1000 | 2 | 4 |

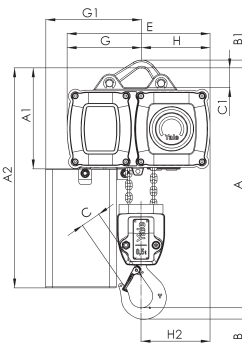
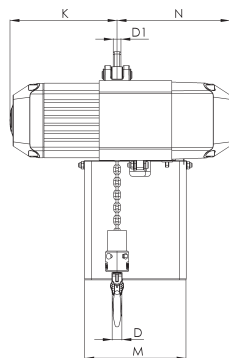
Dimensions CPV/CPVF

| Model | CPV/CPVF 2-8 CPV 2-4 | CPV/CPVF 5-4 CPV 5-2 | CPVF 2-18 CPV/CPVF 5-8 | CPV/CPVF 10-4 | CPVF 5-18 CPV/CPVF 10-8 CPV 10-4/1 | CPV/CPVF 20-4 CPV 20-2 | CPVF 25-8 | CPVF 50-4 |
|---|-------------------------|-------------------------|---------------------------|---------------|--|---------------------------|------------|------------|
| A, mm | 327 | 363 | 357 | 430 | 431 | 528 | 514 | 658 |
| A1, mm | 163 | 163 | 196 | 196 | 234 | 234 | 288 | 288 |
| A2 (dimension with chain container), mm | | | | | | | | |
| -Size I (for lift-height, m) | 343 (15 m) | 343 (7.5 m) | 476 (10 m) | 476 (5 m) | 564 (12 m) | 564 (6 m) | 580 (13 m) | 580 (6 m) |
| -Size II (for lift-height, m) | 413 (32 m) | 413 (16 m) | 526 (22 m) | 526 (11 m) | 644 (18 m) | 644 (9 m) | 764 (25 m) | 764 (12 m) |
| -Size III (for lift-height, m) | 483 (52 m) | 483 (26 m) | 606 (40 m) | 606 (20 m) | 734 (25 m) | 734 (12 m) | 854 (30 m) | 854 (15 m) |
| -Size IV (for lift-height, m) | - | - | 798 (64 m) | 798 (32 m) | 934 (40 m) | 934 (20 m) | - | - |
| B, mm | 23 | 23 | 22 | 29 | 29 | 37 | 37 | 37 |
| B1, mm | 12 | 12 | 15 | 15 | 20 | 20 | 33 | 33 |
| C, mm | 30 | 30 | 29 | 35 | 35 | 40 | 46 | 46 |
| C1, mm | 30 | 30 | 38 | 38 | 45 | 45 | 71 | 71 |
| C2, mm | 105 | 105 | 105 | 105 | 154 | 154 | 194 | 194 |
| D, mm | 16 | 16 | 15 | 21 | 21 | 26 | 35 | 35 |
| D1, mm | 12 | 12 | 15 | 15 | 15 | 15 | 25 | 25 |
| E, mm | 205 | 205 | 277 | 277 | 326 | 326 | 409 | 409 |
| G, mm | 106 | 126 | 120 | 144 | 140 | 173 | 179 | 179 |
| G1 (size I), mm | 124 | 124 | 142 | 166 | 175 | 208 | 264 | 264 |
| G1 (size II), mm | 124 | 124 | 162 | 186 | 175 | 208 | 264 | 264 |
| G1 (size III), mm | 124 | 124 | 162 | 186 | 175 | 208 | 265 | 265 |
| G1 (size IV), mm | 124 | 124 | 162 | 186 | 175 | 208 | - | - |
| H, mm | 99 | 79 | 157 | 133 | 186 | 154 | 230 | 230 |
| H2, mm | 92 | 72 | 158 | 158 | 186 | 186 | 230 | 180 |
| K, mm | 215 | 215 | 208 | 208 | 285 | 285 | 335 | 335 |
| M (size I), mm | 157 | 157 | 162 | 162 | 209 | 209 | 300 | 300 |
| M (size II), mm | 157 | 157 | 197 | 197 | 209 | 209 | 300 | 300 |
| M (size III), mm | 157 | 157 | 197 | 197 | 209 | 209 | 301 | 301 |
| M (size IV), mm | 157 | 157 | 197 | 197 | 209 | 209 | - | - |
| N ¹ , mm | 159 | 159 | 219 | 219 | 274 | 274 | 299 | 299 |

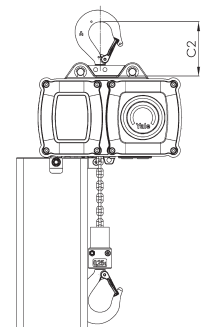
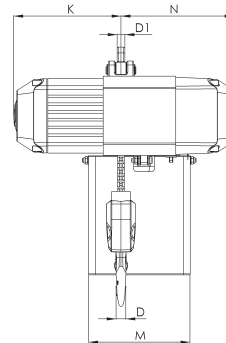
¹for 230V, 1-phase, 50 Hz: approx. +35 mm



CPV/CPVF
with suspension lug, 125 - 2500 kg, single fall



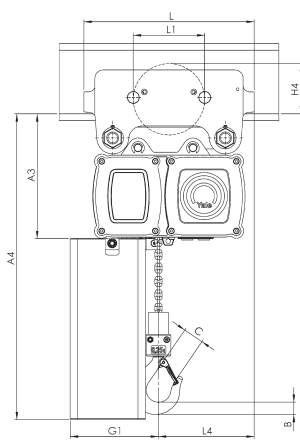
CPV/CPVF
with suspension lug, 500 - 5000 kg, double fall



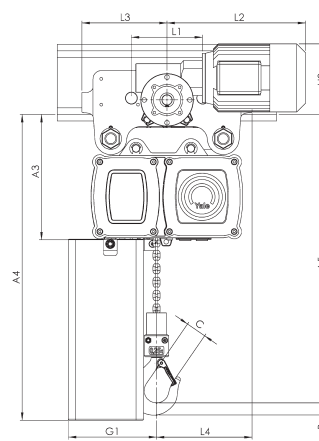
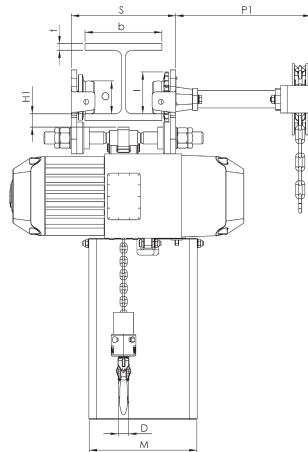
CPV/CPVF
suspension hook, 250 - 2500 kg

Dimensions CPV/CPVF

| Model | CPV/CPVF 2-8 CPV 2-4 | CPV/CPVF 5-4 CPV 5-2 | CPVF 2-18 CPV/CPVF 5-8 | CPV/CPVF 10-4 | CPVF 5-18 CPV/CPVF 10-8 CPV 10-4/1 | CPV/CPVF 20-4 CPV 20-2 | CPVF 25-8 | CPVF 50-4 |
|---|-------------------------------|-------------------------------|-------------------------------|-------------------------------|--|-------------------------------|-------------------------------|-------------------------------|
| A3, mm | 199 | 199 | 228 | 228 | 263 | 263 | 339 | 339 |
| A4 (dimension with chain container), mm | | | | | | | | |
| -Size I (for lift-height, m) | 379 (15 m) | 379 (7.5 m) | 508 (10 m) | 508 (5 m) | 593 (12 m) | 593 (6 m) | 631 (13 m) | 631 (6 m) |
| -Size II (for lift-height, m) | 449 (32 m) | 449 (16 m) | 558 (22 m) | 558 (11 m) | 673 (18 m) | 673 (9 m) | 815 (25 m) | 815 (12 m) |
| -Size III (for lift-height, m) | 519 (52 m) | 519 (26 m) | 638 (40 m) | 638 (20 m) | 768 (25 m) | 768 (12 m) | 905 (30 m) | 905 (15 m) |
| -Size IV (for lift-height, m) | - | - | 830 (64 m) | 830 (32 m) | 968 (40 m) | 968 (20 m) | - | - |
| A5, mm | 365 | 401 | 389 | 462 | 460 | 558 | 648 | 738 |
| b, mm | A = 58 - 180 B = 180 - 300 | A = 58 - 180 B = 180 - 300 | A = 58 - 180 B = 180 - 300 | A = 58 - 180 B = 180 - 300 | A = 58 - 180 B = 180 - 300 | A = 58 - 180 B = 180 - 300 | A = 98 - 180 B = 180 - 300 | A = 98 - 180 B = 180 - 300 |
| H1, mm | 25 | 25 | 24 | 24 | 23 | 23 | 30 | 30 |
| H3, mm | 113 | 113 | 129 | 129 | 129 | 129 | 178 | 178 |
| H4 (VTG), mm | 95 | 95 | 95 | 95 | 95 | 95 | 149 | 149 |
| H4 (VTE), mm | 142 | 142 | 142 | 142 | 142 | 142 | 121 | 121 |
| I (Push trolley), mm | 72 | 72 | 72 | 72 | 96 | 96 | 142 | 142 |
| I (Geared trolley), mm | 76 | 76 | 77 | 77 | 98 | 98 | 149 | 149 |
| L (VTP/VTG), mm | 310 | 310 | 310 | 310 | 360 | 360 | 525 | 525 |
| L1, mm | 130 | 130 | 130 | 130 | 150 | 150 | 209 | 209 |
| L2 (VTE), mm | 255 | 255 | 255 | 255 | 255 | 255 | 292 | 292 |
| L2 (VTEF), mm | 222 | 222 | 263 | 263 | 263 | 263 | 296 | 296 |
| L3, mm | 135 | 135 | 155 | 155 | 180 | 180 | 263 | 263 |
| L4, mm | 131 | 111 | 173 | 161 | 203 | 203 | 258 | 208 |
| O, mm | 60 | 60 | 60 | 60 | 80 | 80 | 125 | 125 |
| P, mm | 171 | 171 | 180 | 180 | 180 | 180 | 172 | 172 |
| P1, mm | 236 | 236 | 246 | 246 | 246 | 246 | 233 | 233 |
| S, mm | b + 50 | b + 50 | b + 50 | b + 50 | b + 54 | b + 54 | b + 70 | b + 70 |
| T, mm | 94 | 94 | 94 | 94 | 94 | 94 | 94 | 94 |
| tmax., mm | 12 | 12 | 19 | 19 | 19 | 19 | 27 | 27 |



CPV/CPVF with integrated manual push or geared trolley



CPV/CPVF with integrated electric trolley

