

Reference number:

AT 252

**READ CAREFULLY BEFORE
USE THE EQUIPMENT**

DESCRIPTION

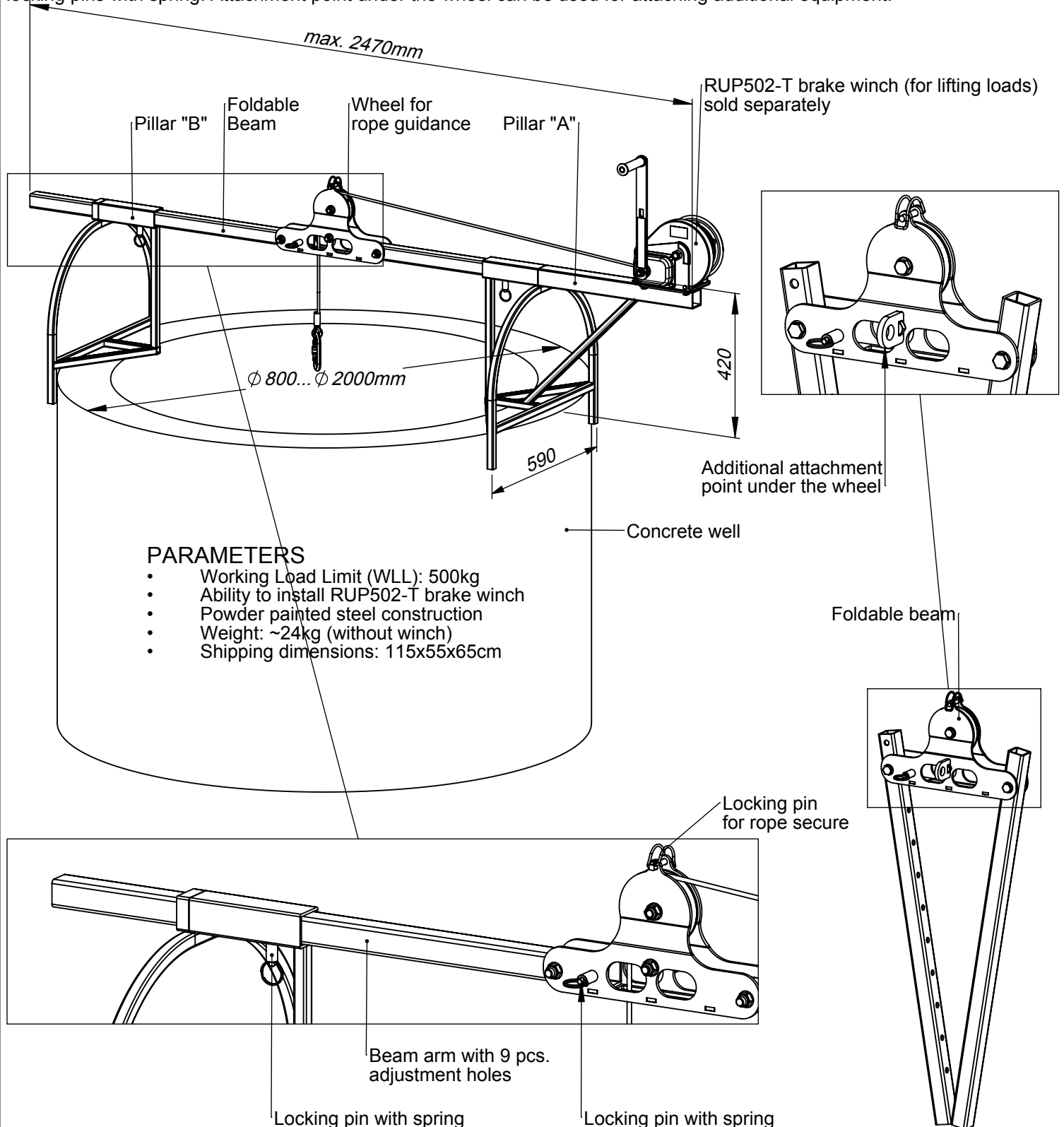
The AT 252 anchor beam is a portable anchor point. Beam can be used on the concrete wells of diameter from 800mm to 2000mm. Device can be used for lifting loads. Winch is equipped with automatic brake for load suspension.

Device consist of:

- a) Foldable beam with cast iron wheel for working rope guidance.
- b) Pillar "A" with plate for winch installation.
- c) Pillar "B".

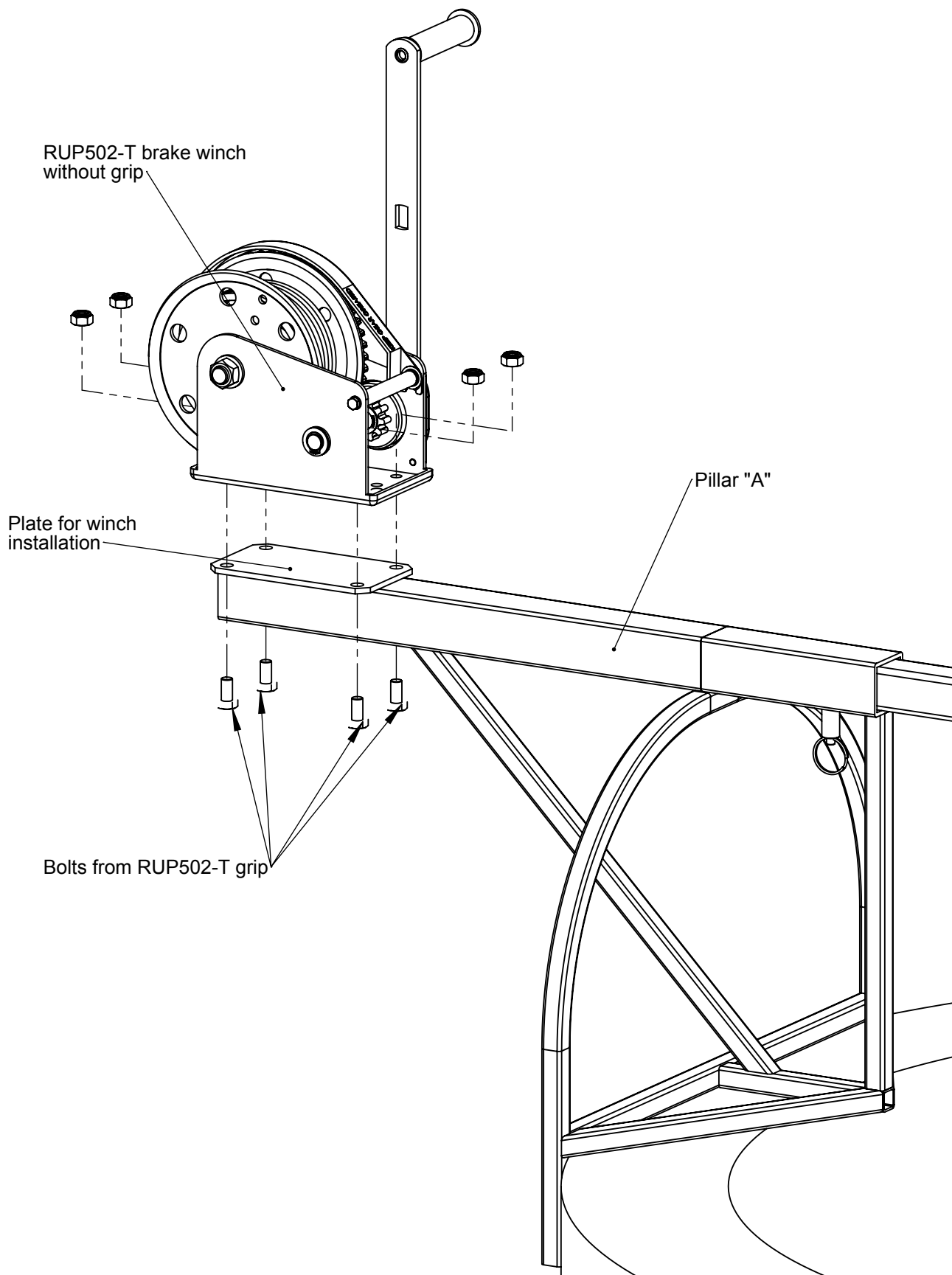
Brake winch RUP502-T (for lifting loads) sold separately.

Device is made of powder painted steel. Each Pillar is equipped with locking pin with spring for quick beam installation. Foldable beam for easier transport consist of centrally installed wheel for working rope guidance and two arms with 9 pcs. of locking holes for proper adjustment to the well. The beam in the working position is protected against accidental closing with locking pins with spring. Attachment point under the wheel can be used for attaching additional equipment.



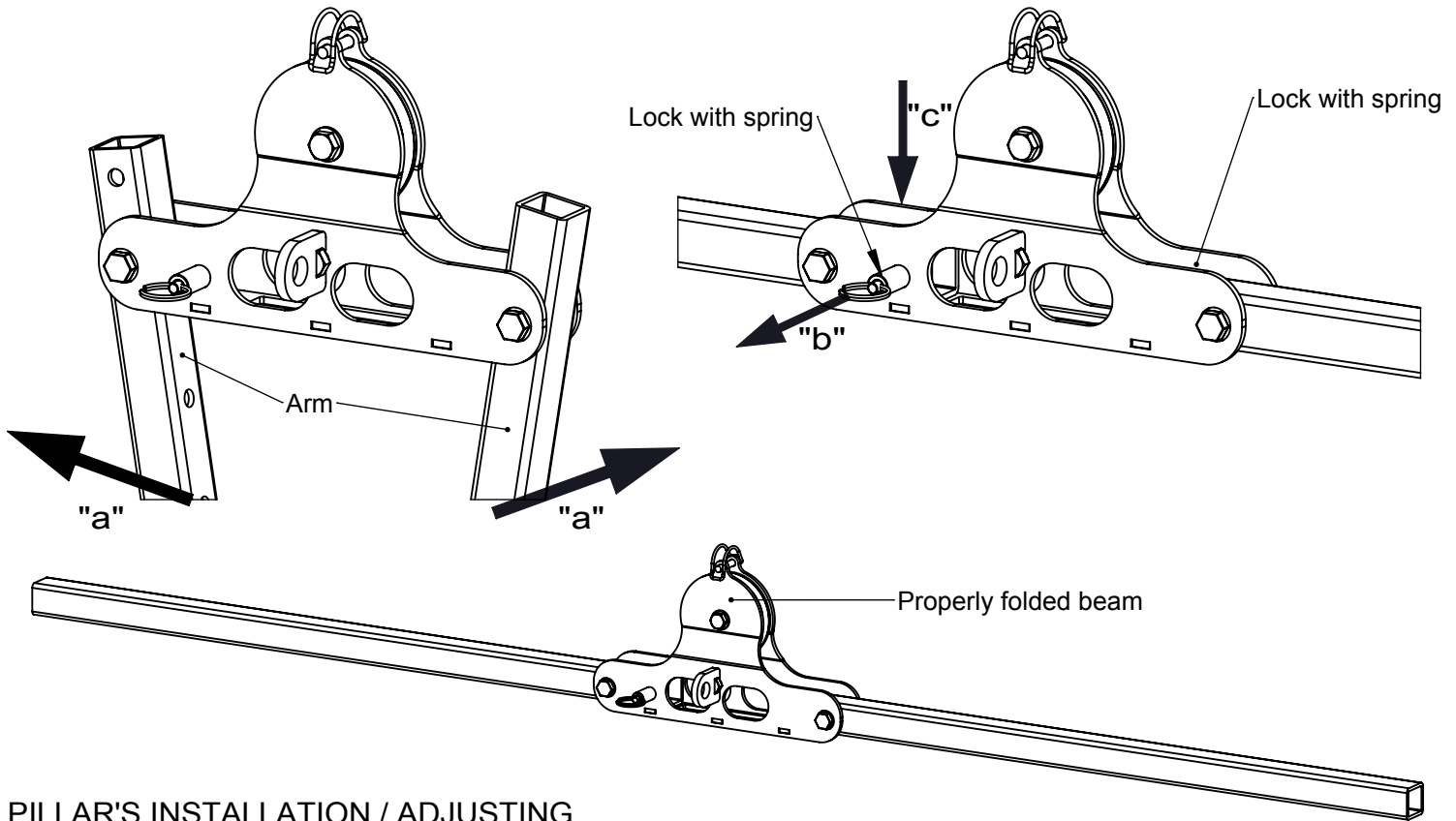
RUP502-T BRAKE WINCH INSTALLATION

1. Remove grip from RUP502-T brake winch according to RUP5-2-T Instruction manual - "Removing the grip fo the RUP502-T device".
2. Install winch without grip to the plate on Pillar "A" using the same bolts and nuts.



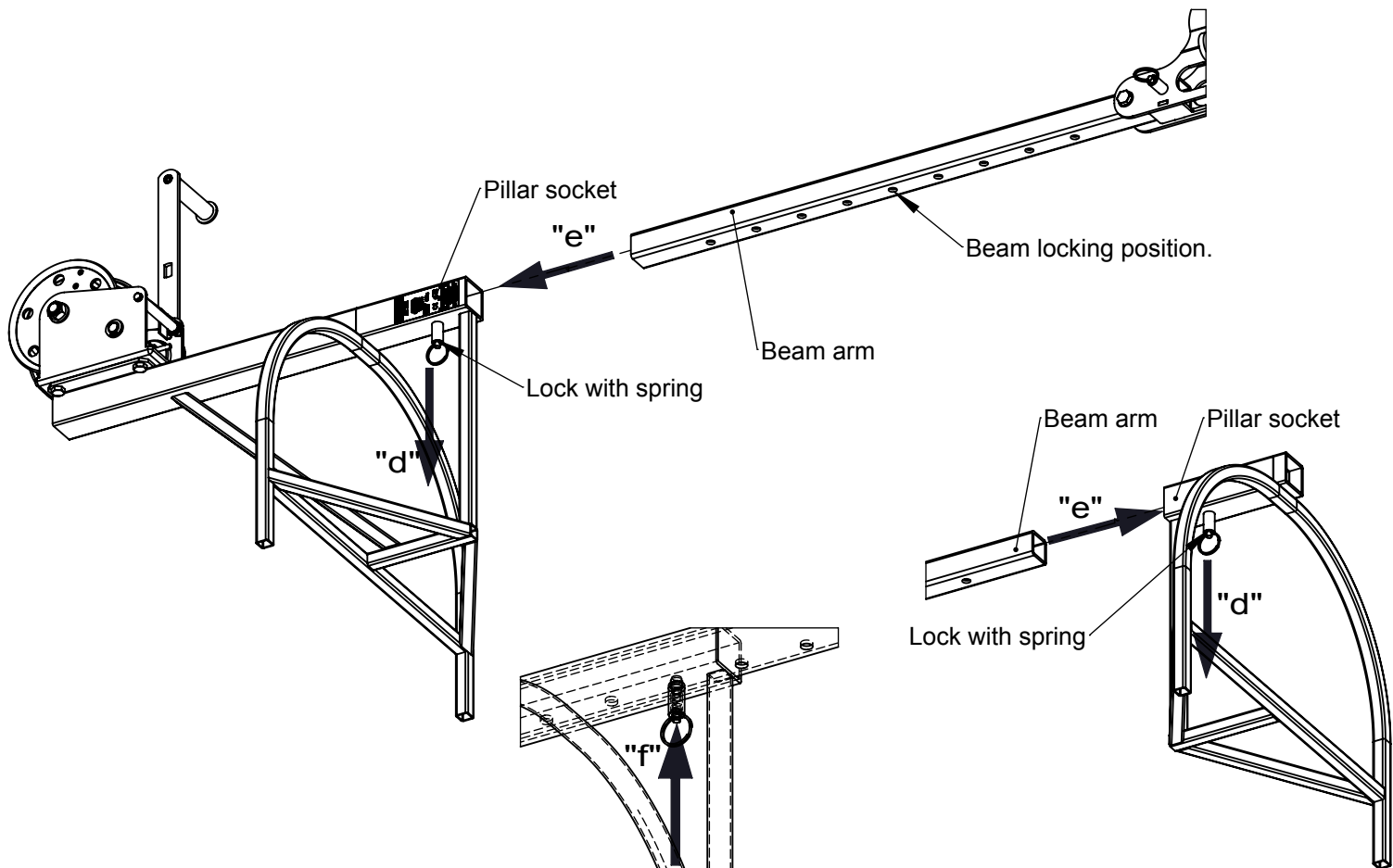
PREPARATION OF THE BEAM

1. Open both arms of the foldable beam - step "a".
2. Pull back the locking finger - step "b", and fully open the arm - step "c". Locking finger should move back automatically. Repeat sequence for second arm.
3. To unlock the arm pull back the locking finger and close the arm.



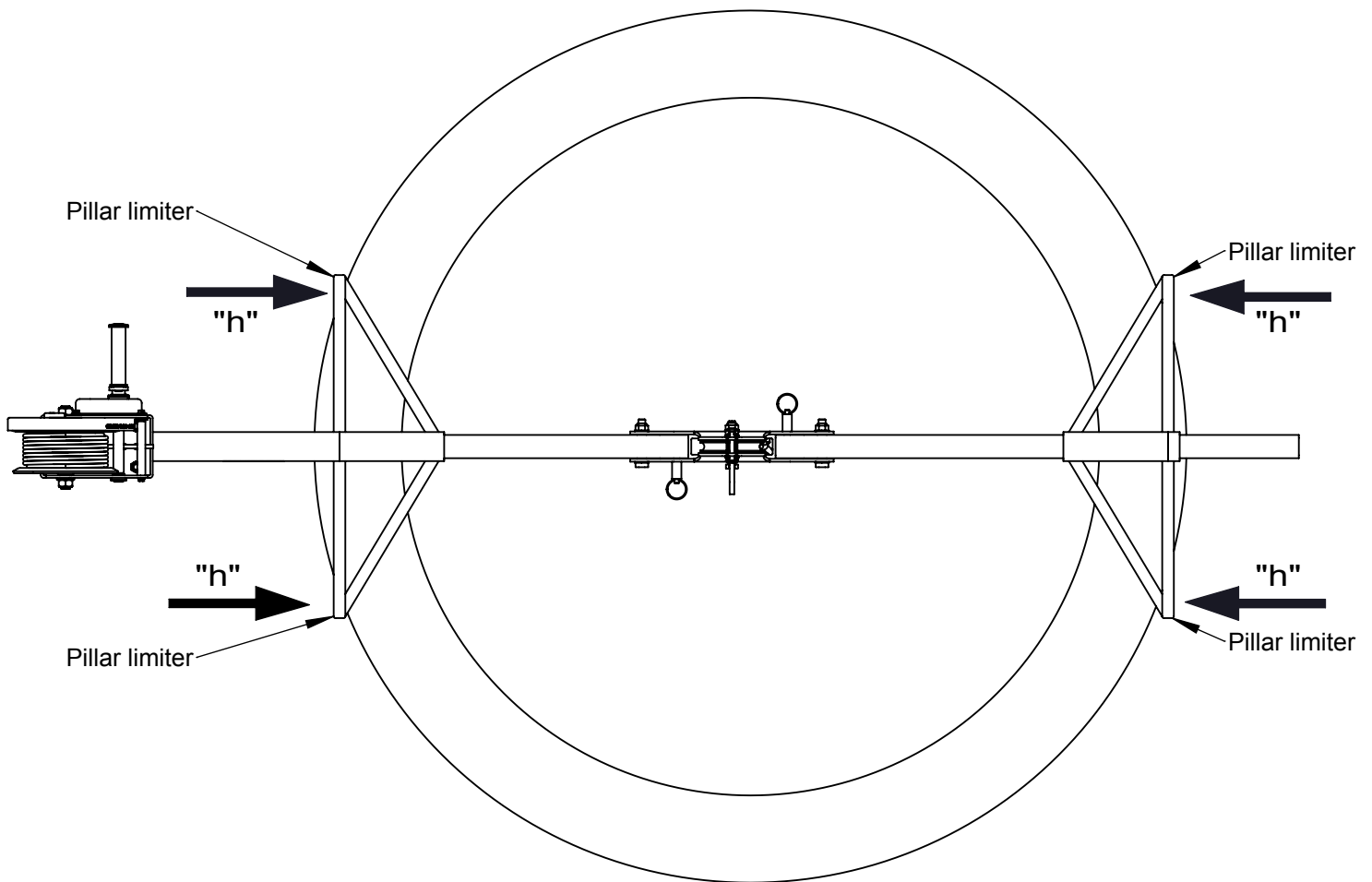
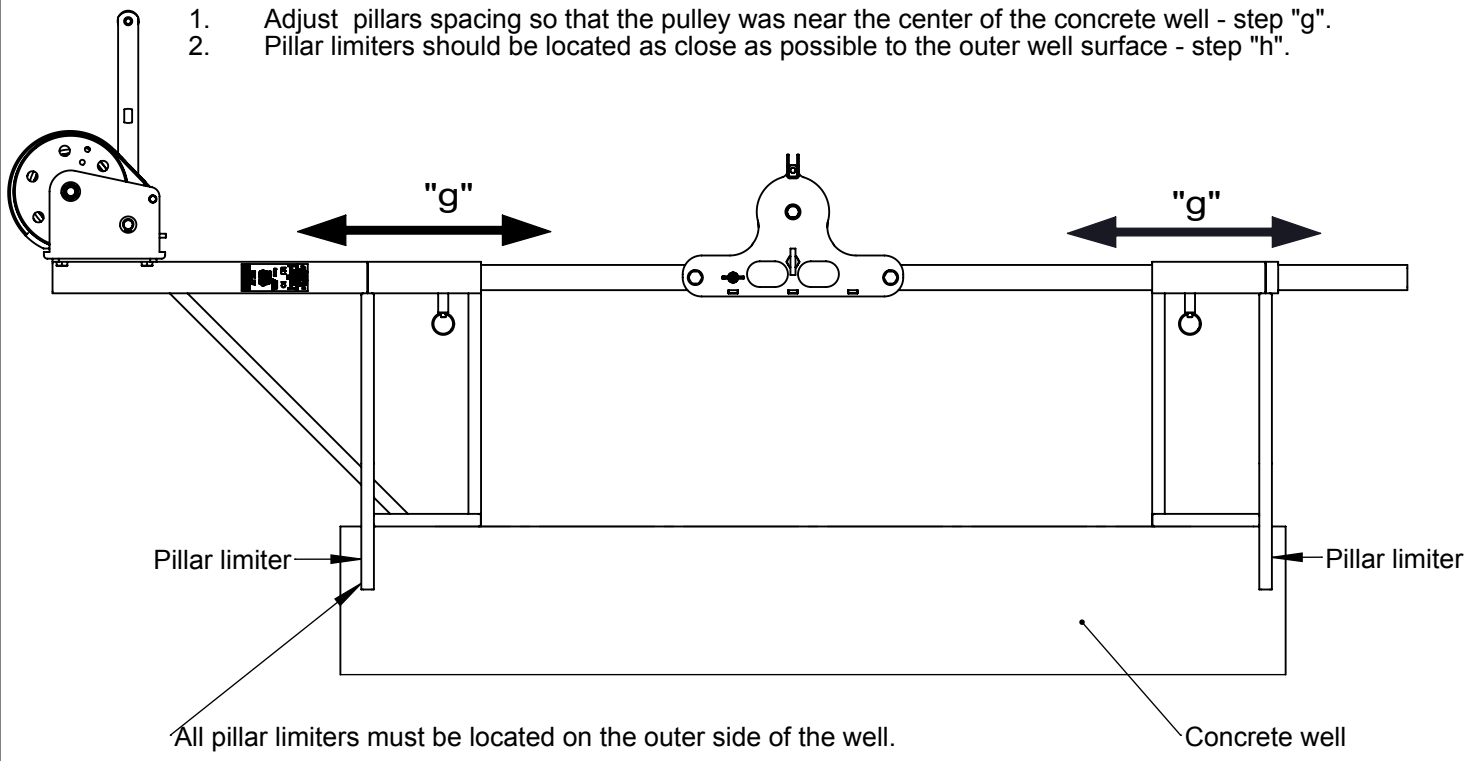
PILLAR'S INSTALLATION / ADJUSTING

1. Pull back locking finger installed on the bottom of the pillar socket - step "d".
2. Insert beam arm to the desired depth and lock on one of the nine positions (locking finger should move back automatically) - steps "e" and "f".
3. To remove the arm from pillar pull back the locking finger and pull out the arm from the pillar socket.



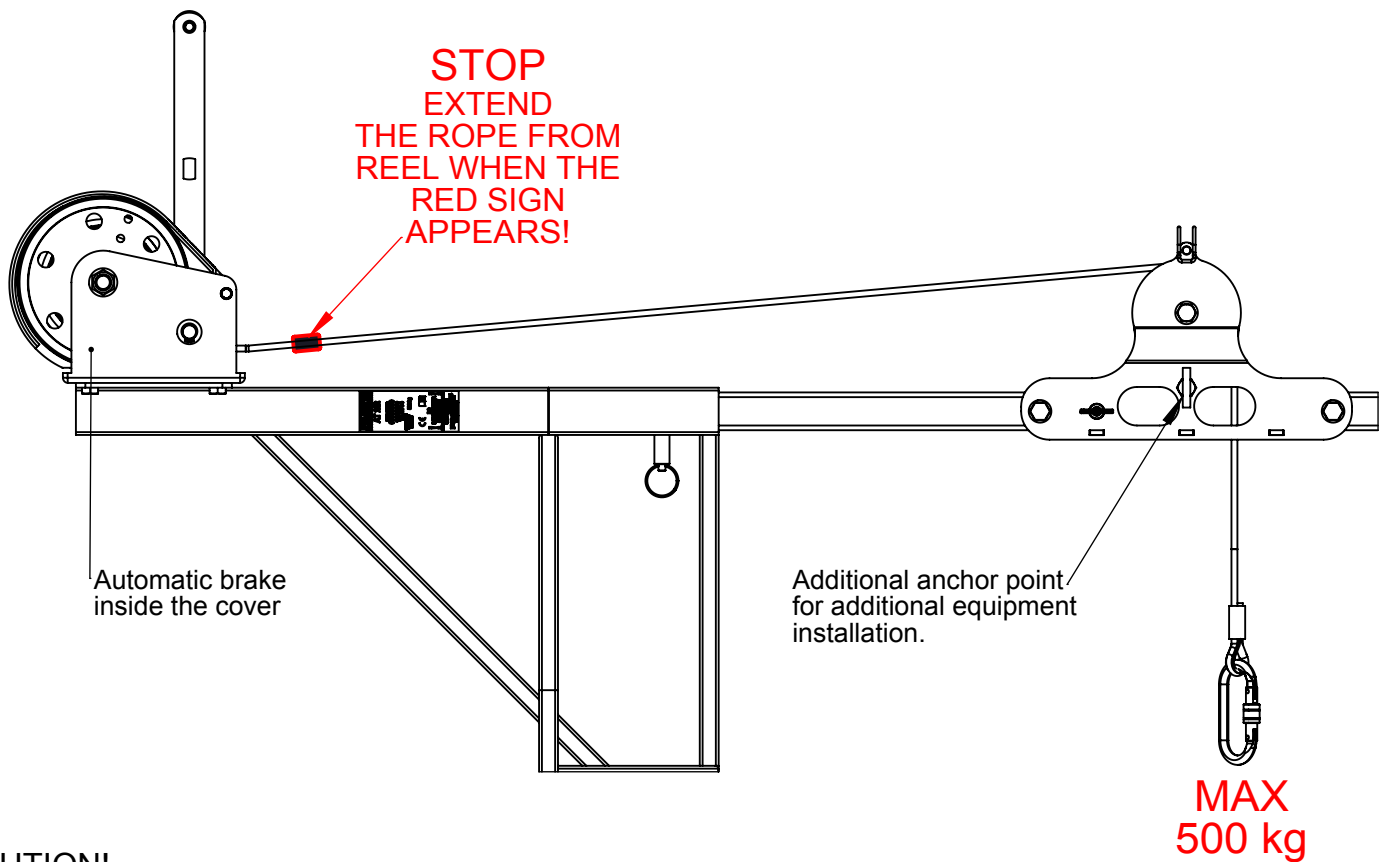
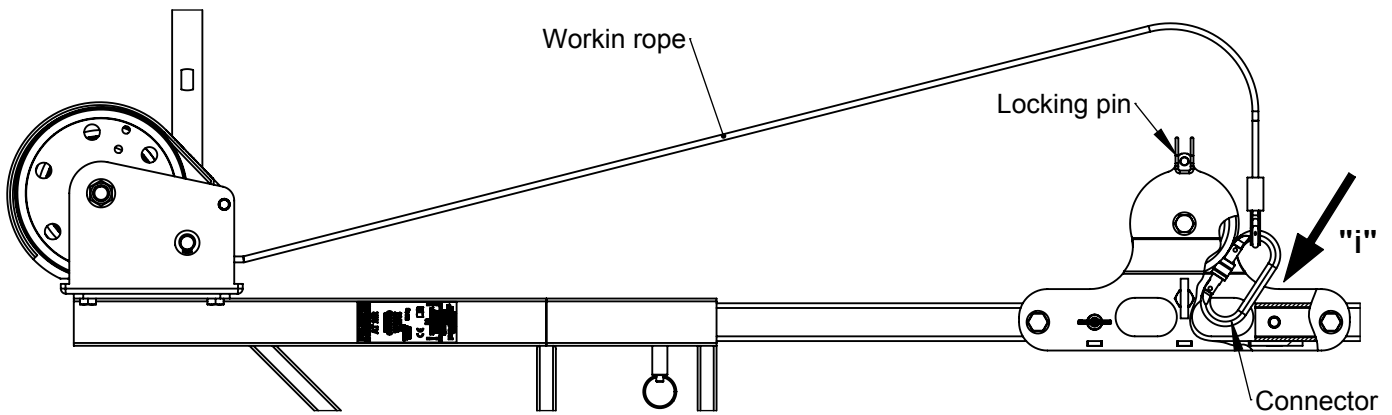
ANCHOR BEAM INSTALLATION ON THE CONCRETE WELL

1. Adjust pillars spacing so that the pulley was near the center of the concrete well - step "g".
2. Pillar limiters should be located as close as possible to the outer well surface - step "h".



WORKING ROPE INSTALLATION

1. Remove locking pin from the top side of the pulley.
2. Insert end of the rope with connector between pulley wheel and arm on the opposite side of the winch - step "i".
3. Secure rope installed on the wheel with locking pin.



CAUTION!

- The lifting / lowering function is for lifting / lowering loads only. Do not use AT 252 anchor beam witch winch for a rescue or a fall arrest purposes.
- Always operate the winch with hand power and with crank included in the equipment only.
- Before each use a thorough inspection must be carried out. Inspection must be carried out by a person using the device. In the case of damages and malfunctions, the device should be withdrawn from use.
- Nevel allow to full extension of the working rope from the winch reel. Keep at least three rope coils on the reel - it is marked by a special safety sign which situated on the rope. Stop extend the rope from the reel when the safety sign appears! Obligatory check the condition of the safety sign.

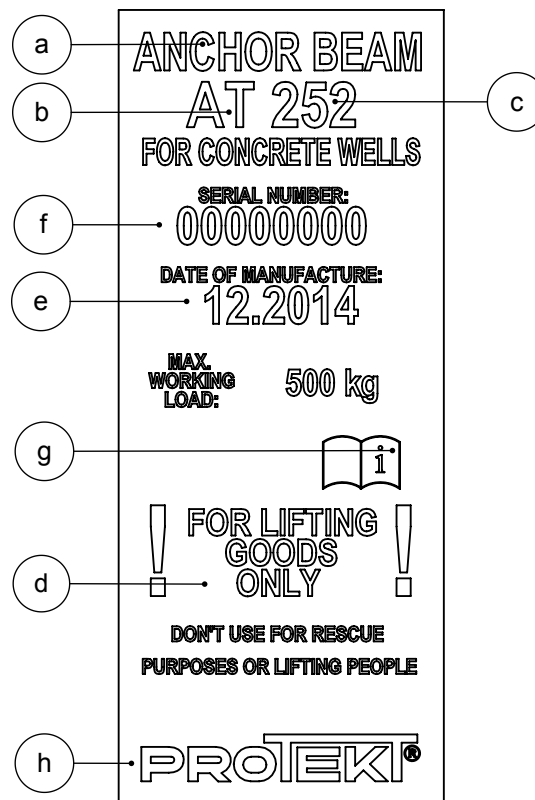
DEVICE LOAD CARRYING CAPACITY

The load hoisted by the AT 252 anchor beam may be connected to the end of the working rope and/or to the additional attachment point.

Maximum operating load carrying capacity of the device is 500 kg.

CONTENT OF THE IDENTITY LABEL

- a) Device type.
- b) Model symbol.
- c) Reference number.
- d) Equipment only for lifting loads - notice.
- e) Month and year of manufacture.
- f) Serial number of the tripod.
- g) Caution: read the manual.
- h) Marking of the manufacturer or distributor of the tripod.



TRANSPORT

Device should be transported in packaging protecting it from damage or getting wet, e.g. bags made of impregnated fabric or in steel / plastic / waterproof wooden cases or boxes.

MAINTENANCE AND STORAGE

When using the device, protect it against mechanical, chemical and thermal damage. Do not use a damaged or malfunctioning device. Clean a dirty device with a damp cloth. Store the device indoors, away from moisture and sources of heat.

THE ESSENTIAL SAFETY RULES AND ESSENTIAL PRINCIPLES OF USE

- Device is used for lifting and lowering loads weighing up to 500 kg.
- This is not an emergency device for lifting people and it should not be used for this purpose.
- Do not use device contrary to its intended use.
- Do not lift loads over an area occupied by people.
- Do not change the device design, repair or replaceable elements included in the kit.
- Before each use of the device, carry out thorough inspection to check the device condition and proper operation. Carefully check all elements, paying particular attention to any damage, excessive wear, corrosion, abrasion, cuts and malfunction.
- At least once a year, after 12 months of use the device should be withdrawn from use for a detailed interim inspection. The inspection can be carried out by the person responsible in the workplace for the interim inspections of the protective equipment and trained for this purpose. Periodic inspections can also be carried out by the equipment manufacturer or a person or a company authorized by the manufacturer.
- Device must be immediately withdrawn from use if there is any doubt about the condition of the device or its operation. The device may be readmitted for use only after a manufacturer's detailed inspection, and manufacturer's written consent for its use.
- Check the stability of the load attached to the cable, on which it is hoisted, to prevent accidental detachment of any of the elements.
- The use of this device with other devices (such as devices for lifting and lowering loads) must be in accordance with the instruction for use of these devices.
- It is forbidden to use the kits in which the device is included, in which the operation of any component disrupts the operation of other components.
- In case of any doubts as to the condition and usage of the device, please contact the manufacturer.

IDENTITY CARD

IT IS RESPONSIBILITY OF THE USER ORGANISATION TO PROVIDE THE IDENTITY CARD AND TO FILL IN THE DETAILS REQUIRED. THE IDENTITY CARD SHOULD BE FILLED IN ONLY BY COMPETENT PERSON RESPONSIBLE FOR PROTECTIVE EQUIPMENT. THE IDENTITY CARD SHOULD BE FILLED IN BEFORE THE FIRST USE OF THE EQUIPMENT. ANY INFORMATION ABOUT THE EQUIPMENT LIKE: PERIODIC INSPECTIONS, REPAIRS, REASONS OF EQUIPMENT'S WITHDRAWN FROM USE SHALL BE NOTED. THE IDENTITY CARD SHOULD BE STORED DURING A WHOLE PERIOD OF EQUIPMENT UTILIZATION. DO NOT USE THE EQUIPMENT WITHOUT THE IDENTITY CARD.

MODEL AND TYPE OF EQUIPMENT	
REF. NUMBER	
SERIAL NUMBER	
DATE OF MANUFACTURE	
DATE OF PURCHASE	
DATE OF FIRST USE	
USER NAME	

PERIODIC EXAMINATION AND REPAIR HISTORY

	DATE	REASON FOR SERVICING / REPAIR	REPAIRS CARRIED OUT	NAME AND SIGNATURE OF COMPETENT PERSON	DATE OF NEXT EXAMINATION
1					
2					
3					
4					
5					
6					
7					
8					
9					

PRODUCER:

PROTEKT, 93-403 LODZ, ul. Starorudzka 9, POLAND, tel: +48 (42) 680 20 83, fax: +48 (42) 680 20 93, www.protekt.com.pl