

ANCHOR POINT AT-021 / AT-021T

INSPECTIONS

1. Before each use a visual inspection should be carried out by the user to ensure that the anchor point is in good condition, and marking label is legible.
2. It is recommended that the AT-021 / AT-021T anchor point is periodically inspected every 12 months after installation. The periodic inspection must be carried out by a qualified person. The result of inspection must be recorded in the Operational Sheet.
3. During the inspections any mechanical, chemical or thermal defects (cracks, deformation or corrosion) should be taken into account.
4. When the anchor point was engaged in fall arresting than it should be replaced with new one or submitted under detailed inspection carried out by qualified technician. The result of inspection should be recorded in the Operational Sheet.
5. Anchor Point AT-021 / AT-021T can be used lifetime but only if annual inspections are made.
6. Anchor Point was tested against EN795:2012 type B standard and is appropriate for single person use with energy absorber conformed with EN355 standard.
7. In case of any doubt please contact with producer or its authorised representatives.

OPERATIONAL SHEET

Device name	Reference number	User name
Date of manufacture	Serial number	Date of installation

TECHNICAL INSPECTIONS

Date of insp.	Type of inspection (periodical/special/...)	Result	Next inspection date	Signature of the person responsible

Producer:
 PROTEKT, 93-403 Łódź, ul.: Starorudzka 9, tel.: (+48 42) 680 20 93,
 fax.: (+48 42) 680 20 93, e-mail: protekt@protekt.com.pl

PROTEKT

Edycja/Data (Edition/Date) **2/2020-01-09**

ANCHOR POINT AT-021 / AT-021T

PRODUCT DESCRIPTION

AT-021 Anchor Point is an anchorage device type B, conform to the EN795: 2012 standard. It is designed for connecting a PPE system against fall from a height to a fixed concrete construction.

The **AT-021 / AT-021T** anchor post may be used by single user.

The **AT-021 / AT-021T** is made of steel and aluminium alloy.

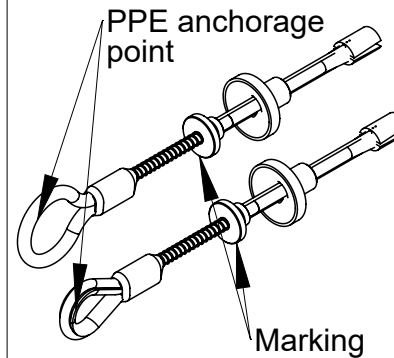
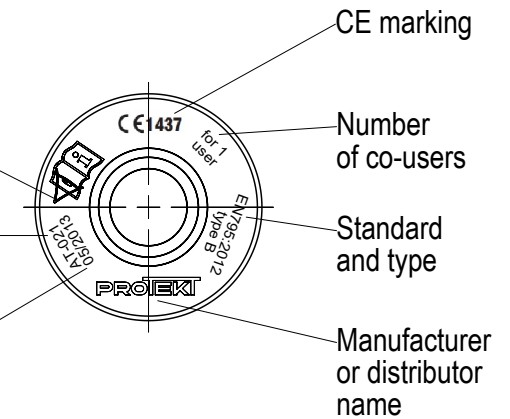
The **AT-021 / AT-021T** anchorage point is intended for installation on a vertical, horizontal or inclined surface. It must be fasten to a fixed structure inside special prepared hole.

MARKING

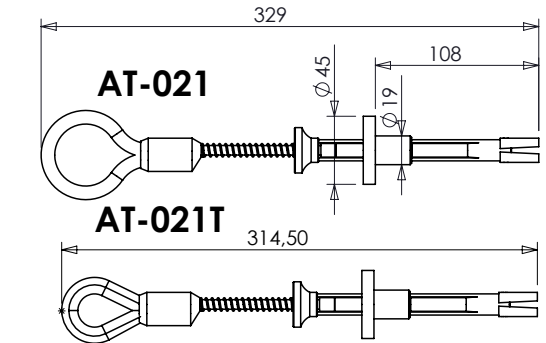
Note:
 Study the instruction before use

Ref. No:
 AT-021
 or AT-021T

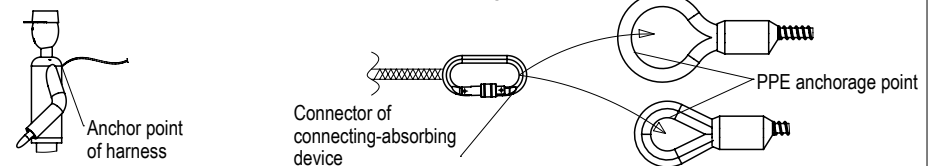
Batch number and mfg date (month / year)



DIMENSIONS



Harness connection sequence



Edycja/Data (Edition/Date) **2/2020-01-09**

PROTEKT

ANCHOR POINT AT-021 / AT-021T

ESSENTIAL RULES OF APPLICATION

1. This manual must be read before installation of the product and before using as well. The instruction must be followed.
2. This instruction manual must be kept available to all users. Additional copies can be delivered on request by producer or distributor.
3. The AT-021 / AT-021T anchor point can be applied for attaching PPE against falls from a height conform to the Directive 89/686/EU. The fall protection system must be in accordance to EN363, EN358 or EN795:2012 standard.
4. Personal protective equipment in association of the AT-021 / AT-021T mustn't be used by people whose health condition may influence their safety during normal use or emergency procedures.
5. Rules of attaching the fall protection system must be conform to EN363 standard and standards of applied equipment (e.g. EN354/355 - safety lanyards and energy absorbers, EN353-2 - guided type fall arresters, EN360 - retractable fall arresters, EN358 - work positioning systems).
6. Before each use, the free space required beneath the user at the workplace should be verified, so that, in the case of a fall, there will be no collision with the ground or the other obstacle in the fall path.
7. The anchor post shall not be used for any purpose other than described (especially for lifting purposes) in this manual or outside its load and usage pointed in EN795:2012 type B standard. Any special applications must be agreed with producer or authorised representatives.
8. Any combination of protective equipment which may generate any dangers should be eliminated.
9. This AT-021 / AT-021T anchor point must be installed exclusively by qualified person who have enough knowledge and experience in this subject. In particular such a person should know the EN795:2012 standard, the bolts or anchors manufacturer's guidelines concerning assemblies and this manual. The assembled anchor post should be checked (approved) by a person authorised to check (e.g. engineer or qualified designer).
10. The person who assembles the anchor point takes full responsibility for the assembly. Neither the manufacturer nor the distributor are responsible for an assembly that is careless and in compliance with the guidelines. On request, the manufacturer and/or distributor deliver all the necessary technical information concerning the product, the technology of its assembly, the way of checking it and the product certificate of compliance.
11. As far as possible, the anchor point for personal equipment should be placed on such placed on such a level, with respect to the user's location, which reduces the potential fall distance.
12. The environmental conditions existent in place of installation, having an effect on corrosion of the anchor point and/or attachments, should be taken into account.
13. If the product is re-sold outside the original country of destination this instruction should be provided in the language of the country in which the product is to be used.

OPERATION

1. Before and during use any necessary rescue actions should be planned.
2. Before each use a visual inspection should be carried out to ensure that the anchor point is in good condition and works correctly.
3. The usage of anchor point with any fault (such as: corrosion, cracks or deformation) is prohibited.
4. The usage of anchor point which was engaged to arrest of a fall is prohibited. Such a device should be replaced or inspected by qualified engineer.
5. PPE should be fastened directly to the anchor point of the AT-021 / AT-021T device by a connector which is conformed with EN362 standard.
6. To make work safe one should use full body harness.
7. Anchoring to the AT-021 / AT-021T anchor point more than one personal system or suspend any loads is prohibited.
8. Any modifications or additions of the product are prohibited without manufacturer's prior written consent.
9. AT-021 / AT-021T anchor point should be kept in a dry and cool place. Any dirt should be removed with soft sponge. In case when the device became wet one should leave it so it can get dry naturally. Device must be kept out of direct heat.

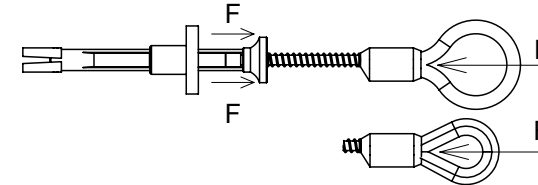
ANCHOR POINT AT-021 / AT021T

INSTALLATION

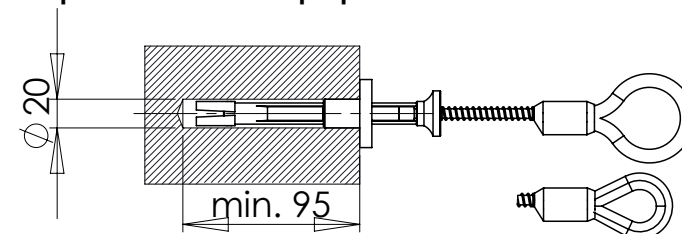
1. Before the installation, AT-021 / AT-021T anchor point should be stored in a clean and dry place. The storage conditions should protect this against chemical or mechanical damages.
2. The AT-021 / AT-021T anchor point can be fixed to vertical, horizontal or inclined surfaces. The strength of the structure should be assessed by qualified engineer.
3. The installation should be carried out according to proper procedures and following the recommendations of this manual.
4. The AT-021 / AT-021T anchor point should be installed only by competent persons or competent organizations.
5. Instalator should take into consideration any other forces (e.g. dynamic forces) or impacts that may have an effect on AT-021 / AT-021T anchor point.
6. The connection to a base should be made with usage of special prepared holes with diameters from 20mm (see beneath sketch with montage sequence).
7. To disconnect the device from the structure one should follow reversed montage sequence.
8. The base structure should have at least 15kN strength.
9. Proper installation should be verified by testing with 0,8kN force put on the PPE anchor point.
10. Recommendations concerning installation specified in informative appendices A of the EN795:2012 standard should be applied.
11. If the label is not accessible, additional marking near the anchor point AT-021 / AT-021T should be put.
12. AT-021 / AT-021T anchor point is designed to be install in concrete which is minimum B20.

MONTAGE SEQUENCE

1. Squeeze device in the shown direction



2. Apply device into prepared hole



3. Make sure that sliders are fastened in the hole by pulling device into "X" direction.

