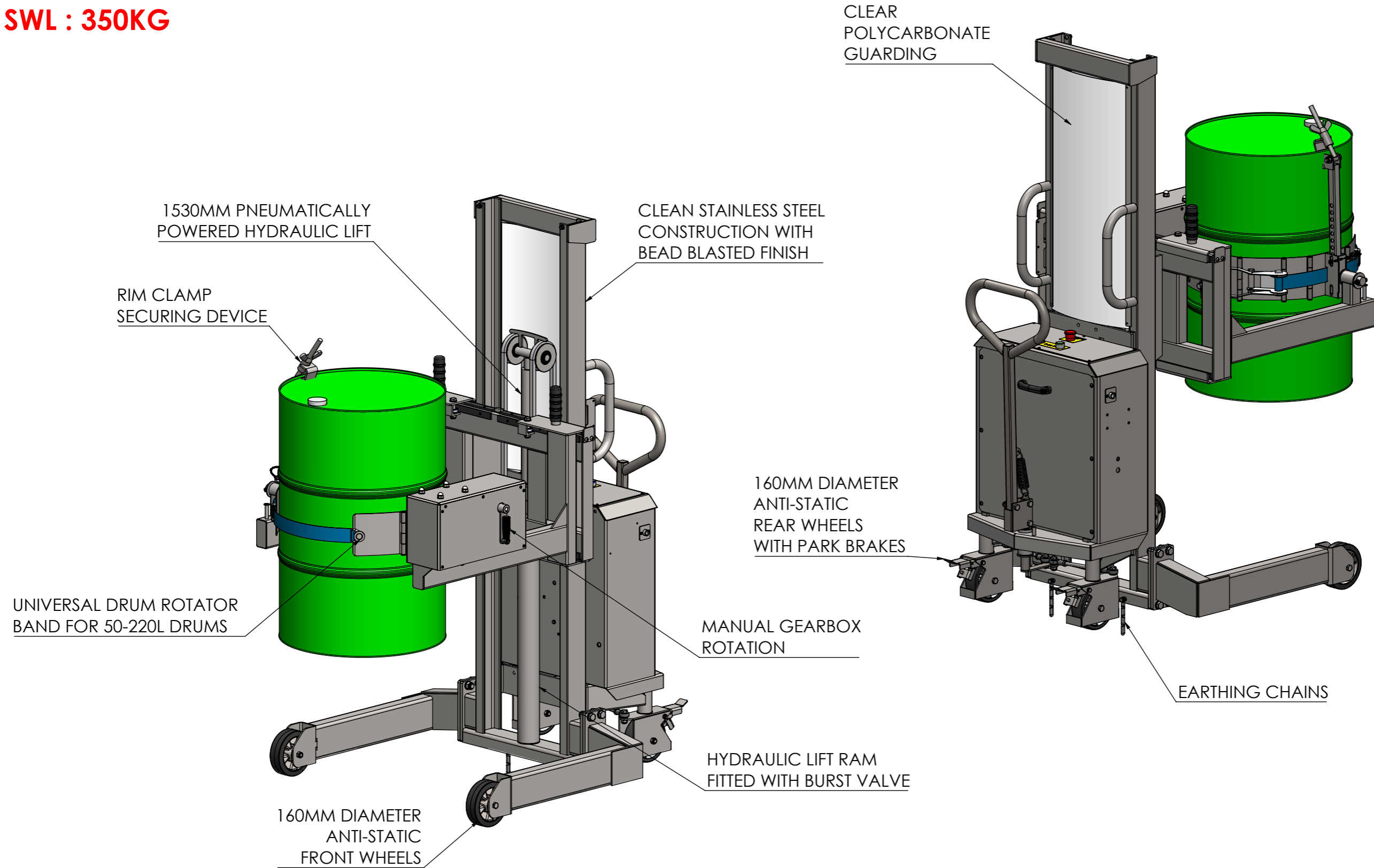
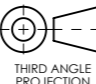



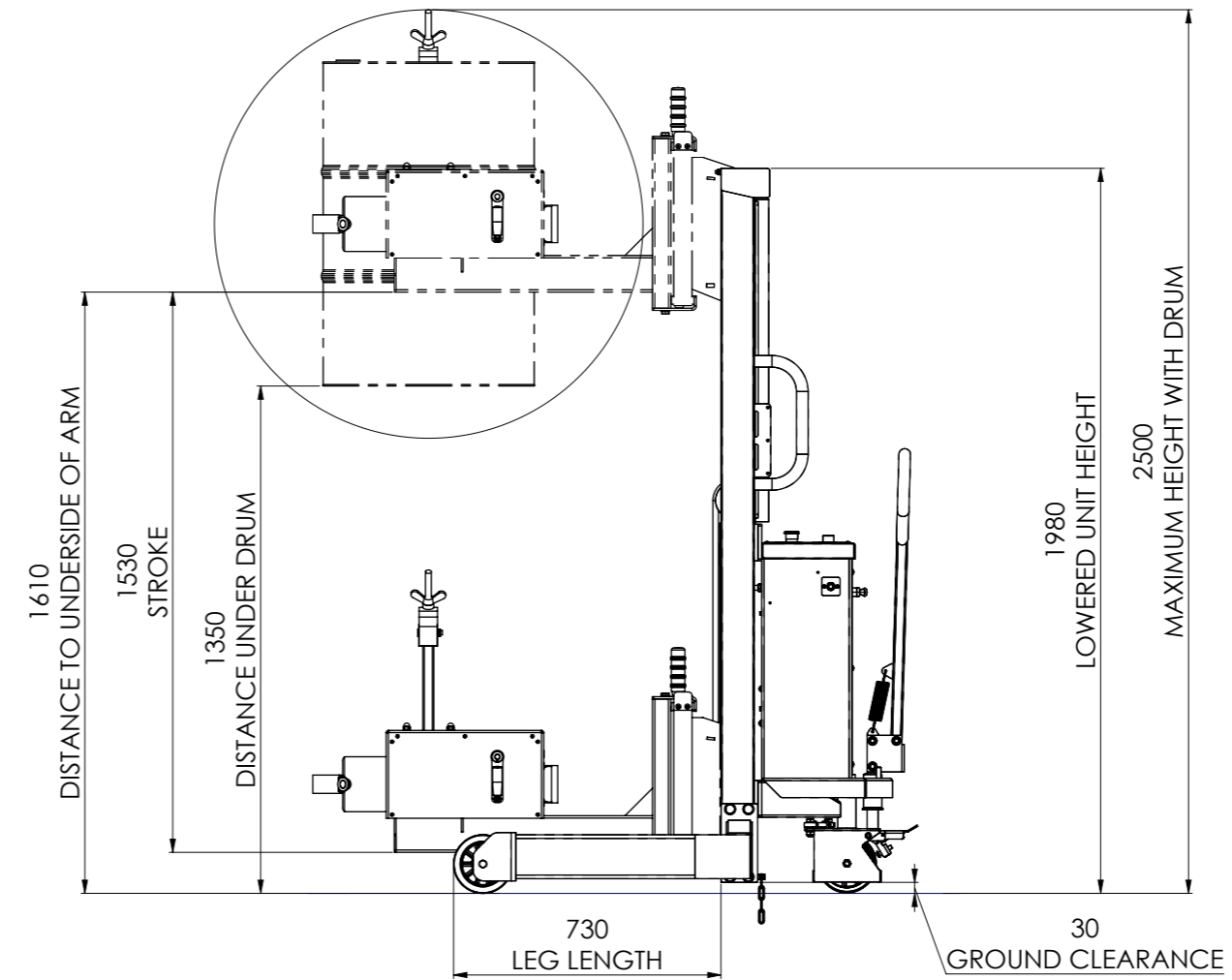
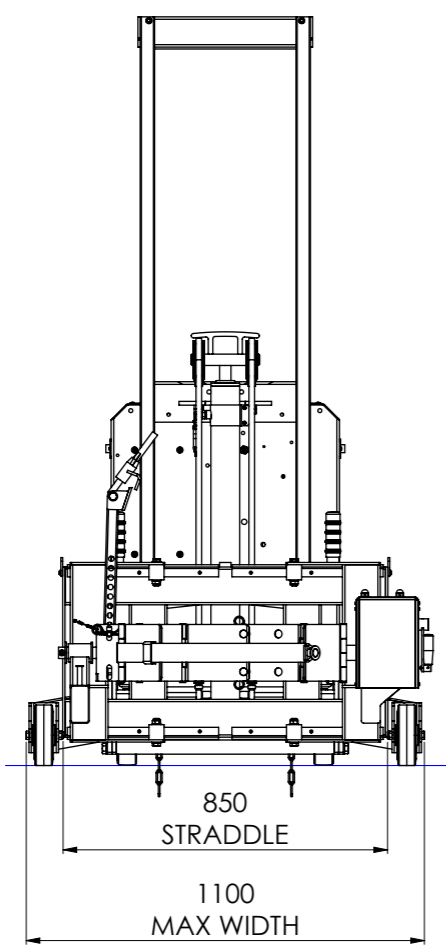
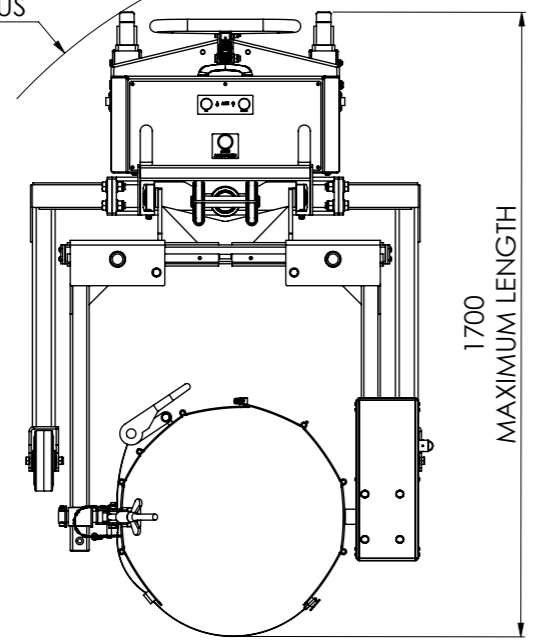
STP01-DRU01-SS-EX

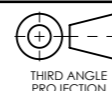

SWL : 350KG



 THIRD ANGLE PROJECTION	ALL DIMENSIONS IN mm U.O.S DO NOT SCALE	CUSTOMER APPROVAL: NAME: SIGNATURE: DATE:	CATEGORY: ASSEMBLY MATERIAL SPEC: FINISH: N/A	SHEET NO: 1 OF 5 EST MASS: 639.00kg SHEET SIZE: A3	DRAWN BY: JS CHECKED BY: DATE CHK: REVISION: B
	 BESPOKE HANDLING EQUIPMENT LTD LEEDSTOWN, CORNWALL, TR27 6DS TEL: +44 1736 85 10 50 FAX: +44 1736 85 10 23 E-MAIL: SALES@STS-TROLLEYS.CO.UK WWW: HTTPS://WWW.STS-TROLLEYS.CO.UK	<small>THIS DOCUMENT AND ALL THE INFORMATION CONTAINED HEREIN ARE CONFIDENTIAL AND EXCLUSIVE PROPERTY OF STS BESPOKE HANDLING EQUIPMENT AND MAY NOT BE REPRODUCED, USED, DISCLOSED OR MADE PUBLIC IN ANY MANNER PRIOR TO EXPRESS WRITTEN AUTHORIZATION BY STS BESPOKE HANDLING EQUIPMENT. THIS DOCUMENT IS ACCEPTED PURSUANT TO AGREEMENT TO THE FOREGOING, AND MUST BE RETURNED OR DESTROYED UPON DEMAND. MANUFACTURER AGREES THAT ARTICLES MADE IN ACCORDANCE WITH THIS DOCUMENT SHALL BE CONSIDERED STS BESPOKE HANDLING EQUIPMENT'S DESIGN AND THAT IDENTICAL ARTICLES OR PARTS THEREOF SHALL NOT BE MANUFACTURED FOR THE USE OR SALE BY THE MANUFACTURER OR ANY OTHER PERSON OR ENTITY WITHOUT PRIOR EXPRESS WRITTEN AUTHORIZATION BY STS BESPOKE HANDLING EQUIPMENT.</small>	DESCRIPTION: STP01-DRU01-SS-EX, ATEX RATED STAINLESS STEEL PNEUMATIC-HYDRAULIC STACKER WITH A MANUALLY ROTATED UNIVERSAL DRUM BAND, 350KG SWL	PART NUMBER: 018318	REVISION: 01 AUTHOR: JC AUTHORISER: NV

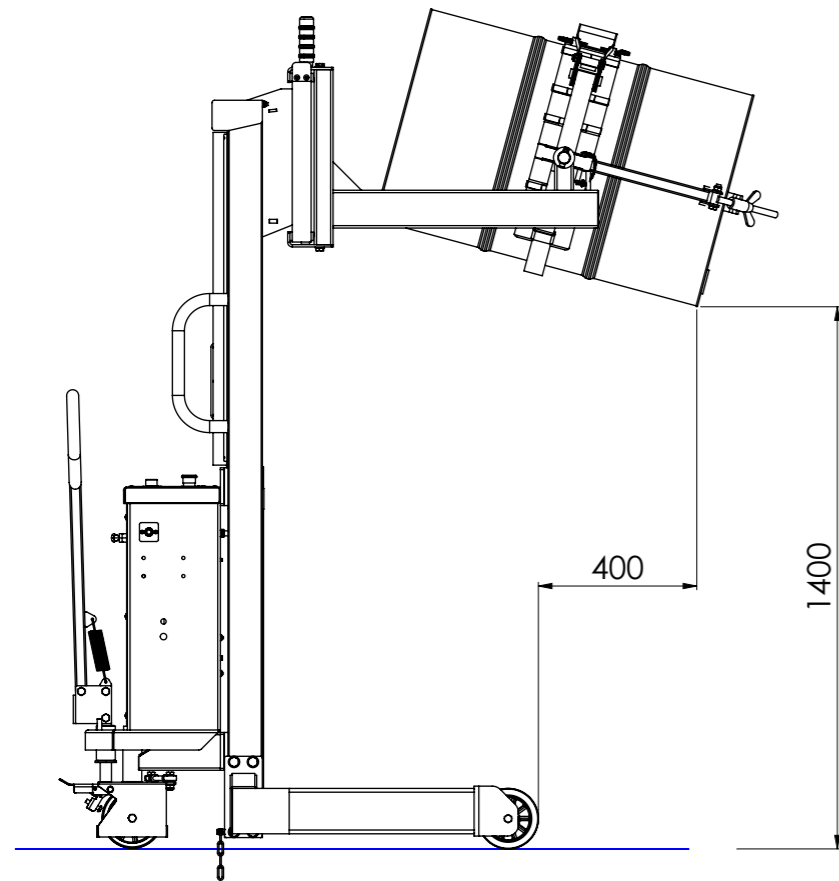
R1450
TURNING RADIUS



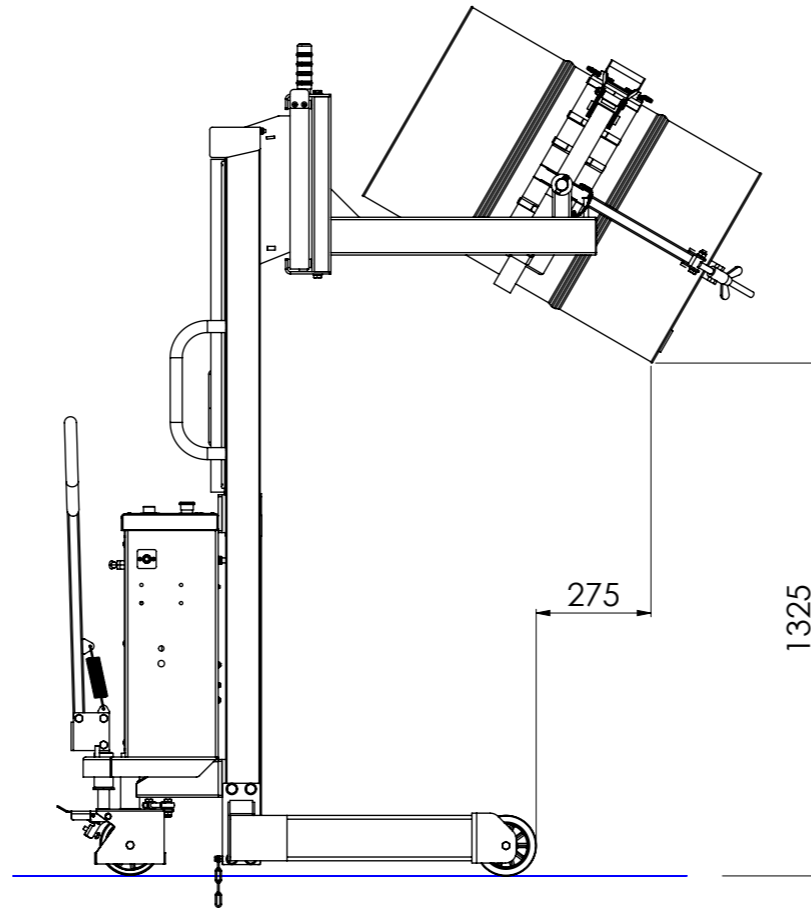
 THIRD ANGLE PROJECTION	ALL DIMENSIONS IN mm U.O.S DO NOT SCALE	CUSTOMER APPROVAL: NAME: SIGNATURE: DATE:	CATEGORY: ASSEMBLY MATERIAL SPEC: FINISH: N/A	SHEET NO: 2 OF 5 EST MASS: 639.00kg SHEET SIZE: A3 PART NUMBER: 018318	DRAWN BY: JS CHECKED BY: DATE CHK: REVISION: B
	 BESPOKE HANDLING EQUIPMENT LTD LEEDSTOWN, CORNWALL, TR27 6DS TEL: +44 1736 85 10 50 FAX: +44 1736 85 10 23 E-MAIL: SALES@STS-TROLLEYS.CO.UK WWW: HTTPS://WWW.STS-TROLLEYS.CO.UK	<small>THIS DOCUMENT AND ALL THE INFORMATION CONTAINED HEREIN ARE CONFIDENTIAL AND EXCLUSIVE PROPERTY OF STS BESPOKE HANDLING EQUIPMENT AND MAY NOT BE REPRODUCED, USED, DISCLOSED OR MADE PUBLIC IN ANY MANNER PRIOR TO EXPRESS WRITTEN AUTHORIZATION BY STS BESPOKE HANDLING EQUIPMENT. THIS DOCUMENT IS ACCEPTED PURSUANT TO AGREEMENT TO THE FOREGOING, AND MUST BE RETURNED OR DESTROYED UPON DEMAND. MANUFACTURER AGREES THAT ARTICLES MADE IN ACCORDANCE WITH THIS DOCUMENT SHALL BE CONSIDERED STS BESPOKE HANDLING EQUIPMENT'S DESIGN AND THAT IDENTICAL ARTICLES OR PARTS THEREOF SHALL NOT BE MANUFACTURED FOR THE USE OR SALE BY THE MANUFACTURER OR ANY OTHER PERSON OR ENTITY WITHOUT PRIOR EXPRESS WRITTEN AUTHORIZATION BY STS BESPOKE HANDLING EQUIPMENT.</small>		DESCRIPTION: STP01-DRU01-SS-EX, ATEX RATED STAINLESS STEEL PNEUMATIC-HYDRAULIC STACKER WITH A MANUALLY ROTATED UNIVERSAL DRUM BAND, 350KG SWL	REVISION: 01 AUTHOR: JC AUTHORISER: NV 8 PRINTED ON: 01/03/2021

TIPPING HEIGHTS

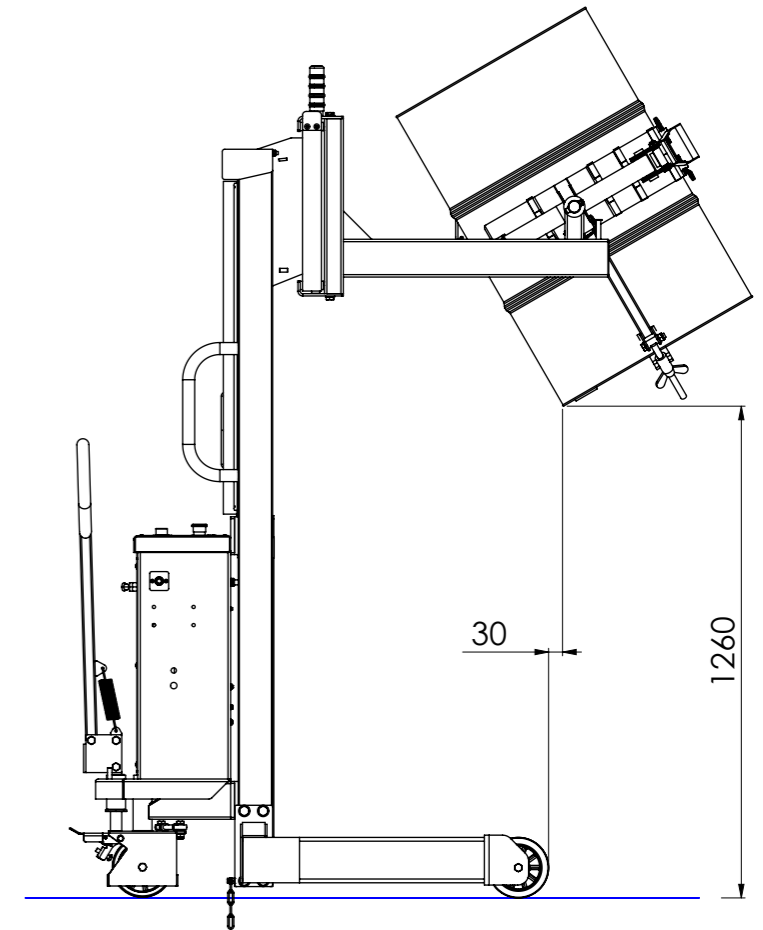
TIP OF 15°



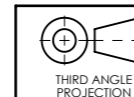
TIP OF 30°



TIP OF 60°



NOTE: STANDARD 205L STEEL DRUM USED FOR TIPPING DIMENSIONS. TIPPING HEIGHT WILL VARY FOR OTHER SIZED DRUMS.



ALL DIMENSIONS
IN mm U.O.S
DO NOT SCALE



BESPOKE HANDLING EQUIPMENT LTD
LEEDSTOWN, CORNWALL, TR27 6DS
TEL: +44 1736 85 10 50 FAX: +44 1736 85 10 23
E-MAIL: SALES@STS-TROLLEYS.CO.UK
WWW: HTTPS://WWW.STS-TROLLEYS.CO.UK

CUSTOMER APPROVAL:
NAME:
SIGNATURE:
DATE:

THIS DOCUMENT AND ALL THE INFORMATION CONTAINED HEREIN ARE CONFIDENTIAL AND EXCLUSIVE PROPERTY OF STS BESPOKE HANDLING EQUIPMENT AND MAY NOT BE REPRODUCED, USED, DISCLOSED OR MADE PUBLIC IN ANY MANNER PRIOR TO EXPRESS WRITTEN AUTHORIZATION BY STS BESPOKE HANDLING EQUIPMENT.
THIS DOCUMENT IS ACCEPTED PURSUANT TO AGREEMENT TO THE FOREGOING, AND MUST BE RETURNED OR DESTROYED UPON DEMAND.
MANUFACTURER AGREES THAT ARTICLES MADE IN ACCORDANCE WITH THIS DOCUMENT SHALL BE CONSIDERED STS BESPOKE HANDLING EQUIPMENT'S DESIGN AND THAT IDENTICAL ARTICLES OR PARTS THEREOF SHALL NOT BE MANUFACTURED FOR THE USE OR SALE BY THE MANUFACTURER OR ANY OTHER PERSON OR ENTITY WITHOUT PRIOR EXPRESS WRITTEN AUTHORIZATION BY STS BESPOKE HANDLING EQUIPMENT.

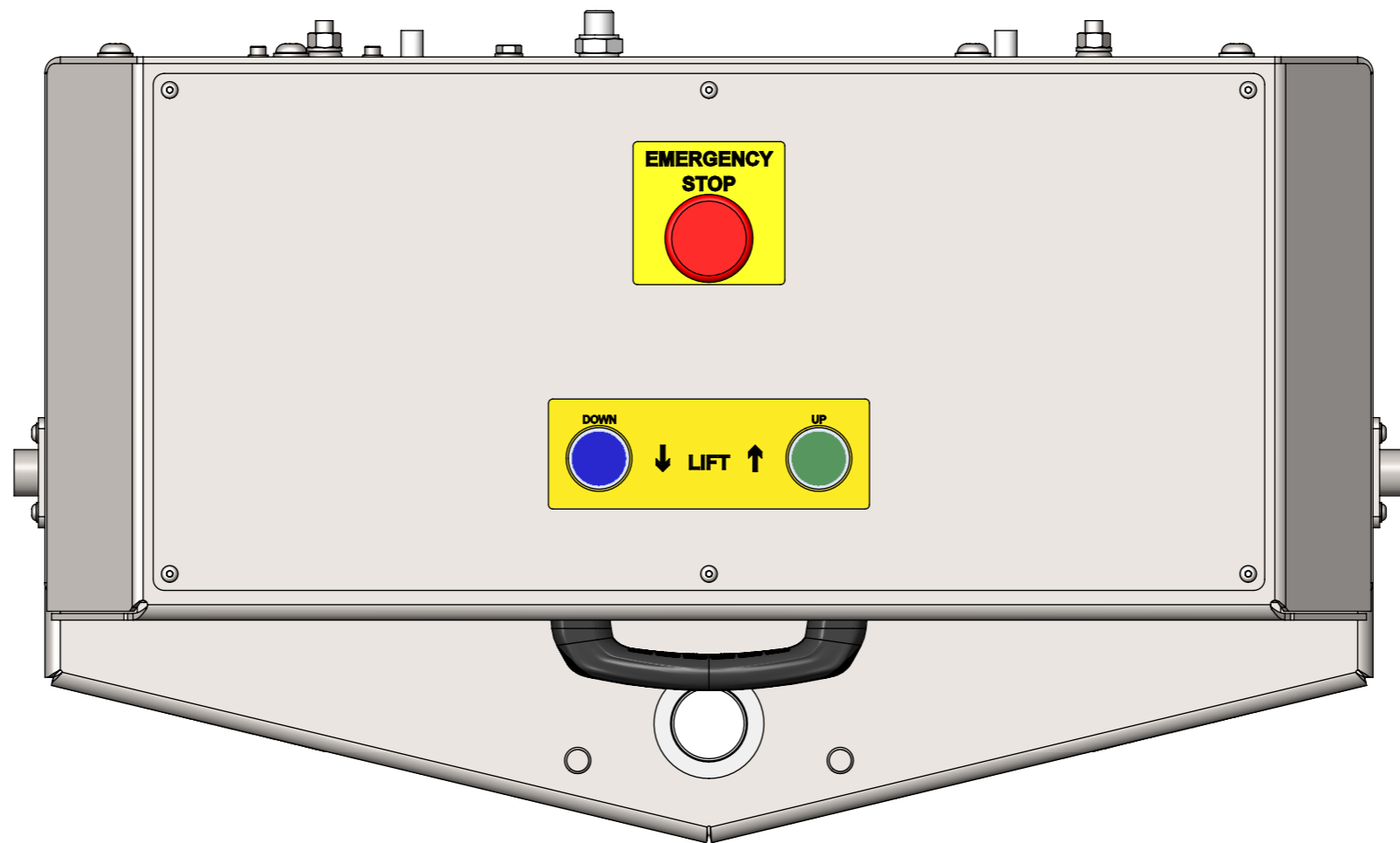
CATEGORY: ASSEMBLY
MATERIAL SPEC:
FINISH: N/A

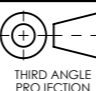

DESCRIPTION: STP01-DRU01-SS-EX, ATEX RATED STAINLESS STEEL PNEUMATIC-HYDRAULIC STACKER WITH A MANUALLY ROTATED UNIVERSAL DRUM BAND, 350KG SWL

SHEET NO: 3 OF 5
EST MASS: 639.00kg
SHEET SIZE: A3

PART NUMBER: 018318

DRAWN BY: JS
CHECKED BY:
DATE CHK:
REVISION: B



 THIRD ANGLE PROJECTION	ALL DIMENSIONS IN mm U.O.S DO NOT SCALE	CUSTOMER APPROVAL: NAME: SIGNATURE: DATE:	CATEGORY: ASSEMBLY MATERIAL SPEC: FINISH: N/A	SHEET NO: 4 OF 5 EST MASS: 639.00kg SHEET SIZE: A3	DRAWN BY: JS CHECKED BY: DATE CHK:
	 BESPOKE HANDLING EQUIPMENT LTD LEEDSTOWN, CORNWALL, TR27 6DS TEL: +44 1736 85 10 50 FAX: +44 1736 85 10 23 E-MAIL: SALES@STS-TROLLEYS.CO.UK WWW: HTTPS://WWW.STS-TROLLEYS.CO.UK	<small>THIS DOCUMENT AND ALL THE INFORMATION CONTAINED HEREIN ARE CONFIDENTIAL AND EXCLUSIVE PROPERTY OF STS BESPOKE HANDLING EQUIPMENT AND MAY NOT BE REPRODUCED, USED, DISCLOSED OR MADE PUBLIC IN ANY MANNER PRIOR TO EXPRESS WRITTEN AUTHORIZATION BY STS BESPOKE HANDLING EQUIPMENT. THIS DOCUMENT IS ACCEPTED PURSUANT TO AGREEMENT TO THE FOREGOING, AND MUST BE RETURNED OR DESTROYED UPON DEMAND. MANUFACTURER AGREES THAT ARTICLES MADE IN ACCORDANCE WITH THIS DOCUMENT SHALL BE CONSIDERED STS BESPOKE HANDLING EQUIPMENT'S DESIGN AND THAT IDENTICAL ARTICLES OR PARTS THEREOF SHALL NOT BE MANUFACTURED FOR THE USE OR SALE BY THE MANUFACTURER OR ANY OTHER PERSON OR ENTITY WITHOUT PRIOR EXPRESS WRITTEN AUTHORIZATION BY STS BESPOKE HANDLING EQUIPMENT.</small>	DESCRIPTION: STP01-DRU01-SS-EX, ATEX RATED STAINLESS STEEL PNEUMATIC-HYDRAULIC STACKER WITH A MANUALLY ROTATED UNIVERSAL DRUM BAND, 350KG SWL	PART NUMBER: 018318	REVISION: B