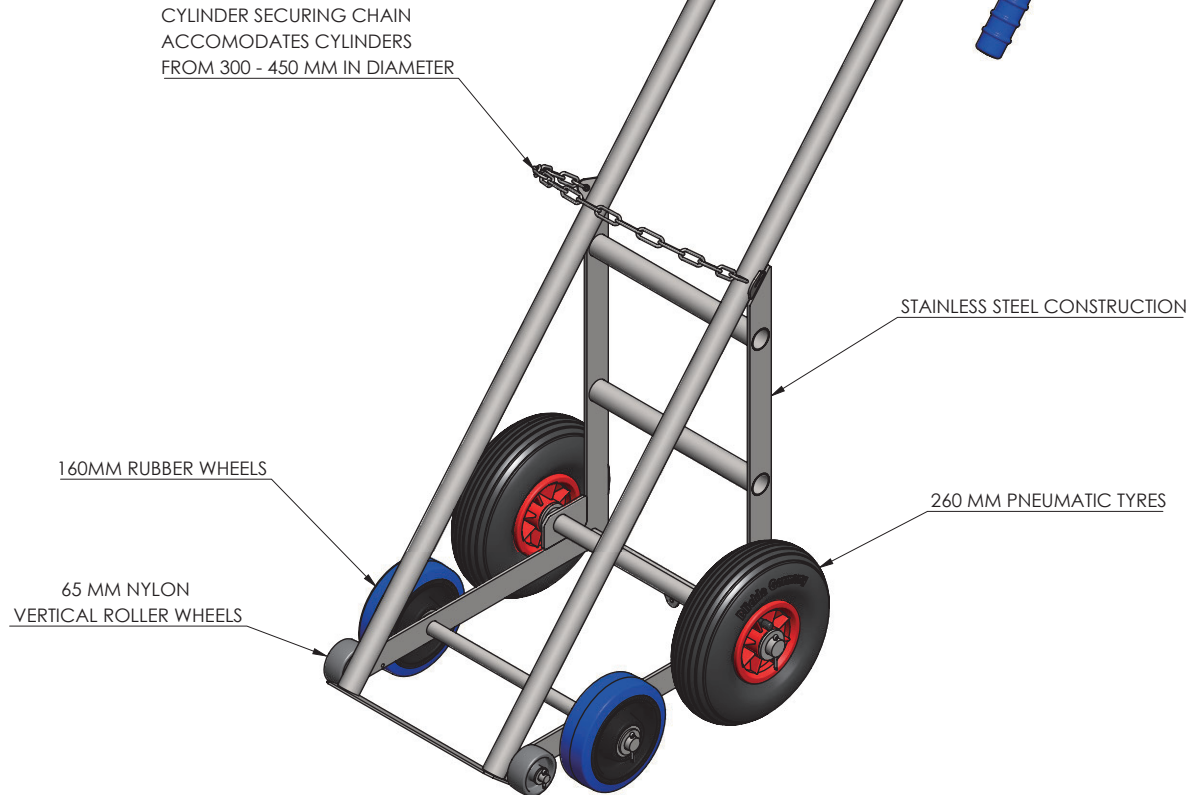


# CTS03

SWL - 150kg



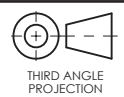
CYLINDER SECURING CHAIN  
ACCOMODATES CYLINDERS  
FROM 300 - 450 MM IN DIAMETER

STAINLESS STEEL CONSTRUCTION

160MM RUBBER WHEELS

260 MM PNEUMATIC TYRES

65 MM NYLON  
VERTICAL ROLLER WHEELS



THIRD ANGLE  
PROJECTION

ALL DIMENSIONS  
IN mm U.O.S  
  
DO NOT SCALE

UNLESS OTHERWISE SPECIFIED THE FOLLOWING APPLY:  
FABRICATED COMPONENTS DIMENSIONAL PRECISION  
DECIMAL METRIC IMPERIAL ANGLE  
0.0 ±1.20mm ±0.05" ±0.50" SIZE ≤ 1000MM  
0.0 ±0.80mm ±0.03" ±0.25" SIZE ≤ 1000MM  
0.0 ±2.5mm ±0.10" ±0.50" SIZE > 1000MM  
0.0 ±1.5mm ±0.06" ±0.25" SIZE > 1000MM  
STANDARD SURFACE FINISH RA 63MM [RA 250MIN]  
BREAK ALL SHARP CORNERS AND EDGES. R 0.3mm MAX

CATEGORY: ASSEMBLY

SHEET NO: 1 OF 3

DRAWN BY: GB

MATERIAL SPEC:

EST MASS: 21.14kg

CHECKED BY: JC

FINISH: N/A

SHEET SIZE: A4

DATE  
CHK: 26/02/2020

DESCRIPTION: CYLINDER TROLLEY, CTS03, ASSEMBLY

PART NUMBER:

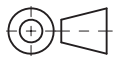
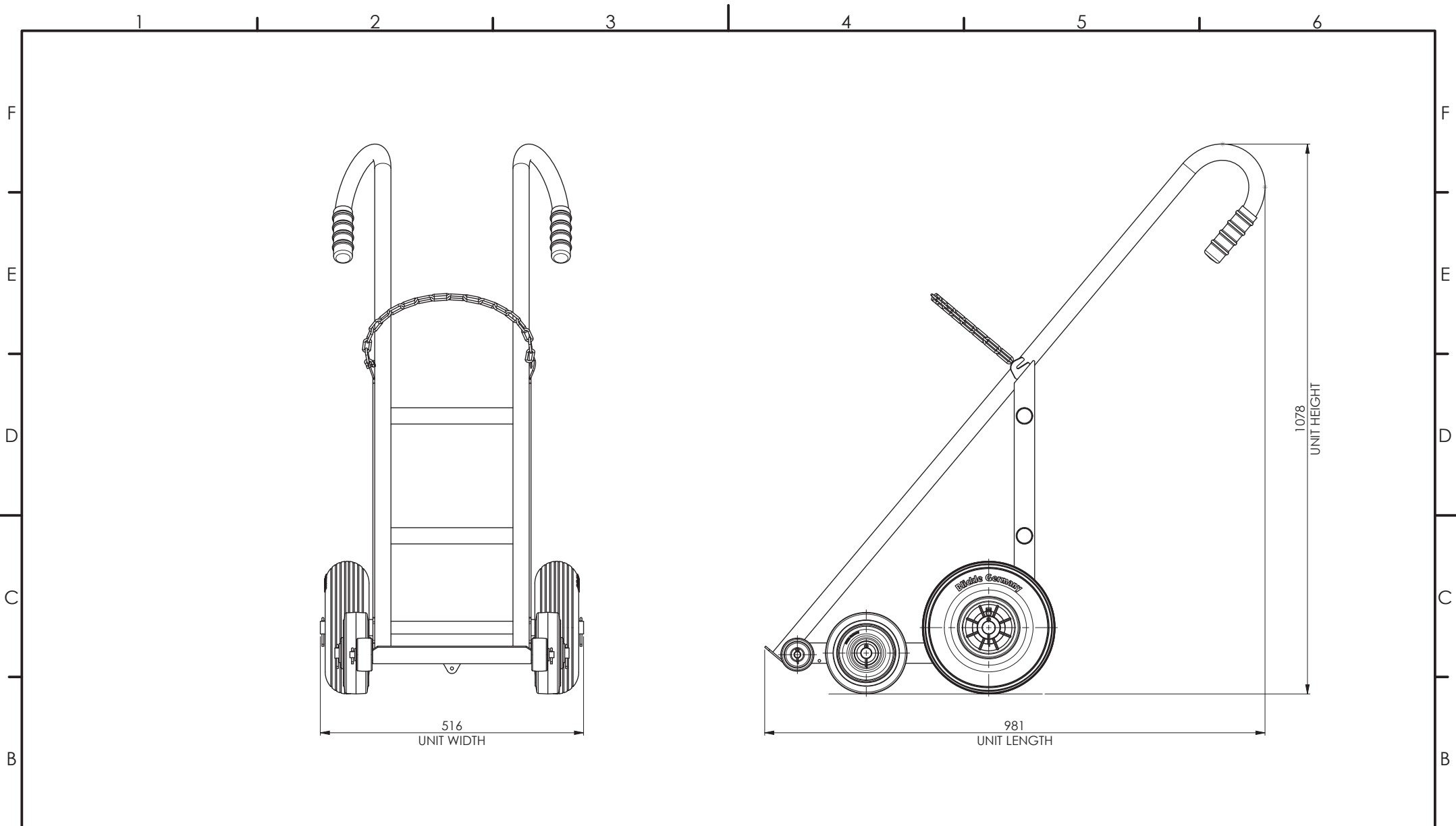
REVISION:

003501

B

**STN**  
BESPOKE HANDLING EQUIPMENT LTD  
LEEDSTOWN, CORNWALL, TR27 6DS  
TEL: +44 1736 85 10 50 FAX: +44 1736 85 10 23  
E-MAIL: SALES@STS-TROLLEYS.CO.UK  
WWW: HTTPS://WWW.STS-TROLLEYS.CO.UK

THIS DOCUMENT AND ALL THE INFORMATION CONTAINED HEREIN ARE CONFIDENTIAL AND EXCLUSIVE PROPERTY OF STS BESPOKE HANDLING EQUIPMENT AND MAY NOT BE REPRODUCED, USED, DISCLOSED OR MADE PUBLIC IN ANY MANNER PRIOR TO EXPRESS WRITTEN AUTHORISATION BY STS BESPOKE HANDLING EQUIPMENT.  
THIS DOCUMENT IS ACCEPTED PURSUANT TO AGREEMENT TO THE FOREGOING, AND MUST BE RETURNED OR DESTROYED UPON DEMAND.  
MANUFACTURER AGREES THAT ARTICLES MADE IN ACCORDANCE WITH THIS DOCUMENT SHALL BE CONSIDERED STS BESPOKE HANDLING EQUIPMENT'S DESIGN AND THAT IDENTICAL ARTICLES OR PARTS THEREOF SHALL NOT BE MANUFACTURED FOR THE USE OR SALE BY THE MANUFACTURER OR ANY OTHER PERSON OR ENTITY WITHOUT PRIOR EXPRESS WRITTEN AUTHORISATION BY STS BESPOKE HANDLING EQUIPMENT.



THIRD ANGLE PROJECTION

ALL DIMENSIONS IN mm U.O.S

DO NOT SCALE

UNLESS OTHERWISE SPECIFIED THE FOLLOWING APPLY:  
 FABRICATED COMPONENTS DIMENSIONAL PRECISION  

| DECIMAL | METRIC  | IMPERIAL | ANGLE  | SIZE          |
|---------|---------|----------|--------|---------------|
| 0.0     | ±1.20mm | ±0.05"   | ±0.50° | SIZE ≤ 1000MM |
| 0.0     | ±0.80mm | ±0.03"   | ±0.25° | SIZE ≤ 1000MM |
| 0.0     | ±2.5mm  | ±0.10"   | ±0.50° | SIZE > 1000MM |
| 0.0     | ±1.5mm  | ±0.06"   | ±0.25° | SIZE > 1000MM |

 STANDARD SURFACE FINISH RA 63MM [RA 250MIN]  
 BREAK ALL SHARP CORNERS AND EDGES. R 0.3mm MAX

CATEGORY: ASSEMBLY

MATERIAL SPEC:

FINISH: N/A

DESCRIPTION: CYLINDER TROLLEY, CTS03, ASSEMBLY

SHEET NO: 2 OF 3

EST MASS: 21.14kg

SHEET SIZE: A4

PART NUMBER:

003501

DRAWN BY: GB

CHECKED BY: JC

DATE CHK: 26/02/2020

REVISION:

B



BESPOKE HANDLING EQUIPMENT LTD  
 LEEDSTOWN, CORNWALL, TR27 6DS  
 TEL: +44 1736 85 10 50 FAX: +44 1736 85 10 23  
 E-MAIL: SALES@STS-TROLLEYS.CO.UK  
 WWW: HTTPS://WWW.STS-TROLLEYS.CO.UK

THIS DOCUMENT AND ALL THE INFORMATION CONTAINED HEREIN ARE CONFIDENTIAL AND EXCLUSIVE PROPERTY OF STS BESPOKE HANDLING EQUIPMENT AND MAY NOT BE REPRODUCED, USED, DISCLOSED OR MADE PUBLIC IN ANY MANNER PRIOR TO EXPRESS WRITTEN AUTHORISATION BY STS BESPOKE HANDLING EQUIPMENT.  
 THIS DOCUMENT IS ACCEPTED PURSUANT TO AGREEMENT TO THE FOREGOING, AND MUST BE RETURNED OR DESTROYED UPON DEMAND.  
 MANUFACTURER AGREES THAT ARTICLES MADE IN ACCORDANCE WITH THIS DOCUMENT SHALL BE CONSIDERED STS BESPOKE HANDLING EQUIPMENT'S DESIGN AND THAT IDENTICAL ARTICLES OR PARTS THEREOF SHALL NOT BE MANUFACTURED FOR THE USE OR SALE BY THE MANUFACTURER OR ANY OTHER PERSON OR ENTITY WITHOUT PRIOR EXPRESS WRITTEN AUTHORISATION BY STS BESPOKE HANDLING EQUIPMENT.